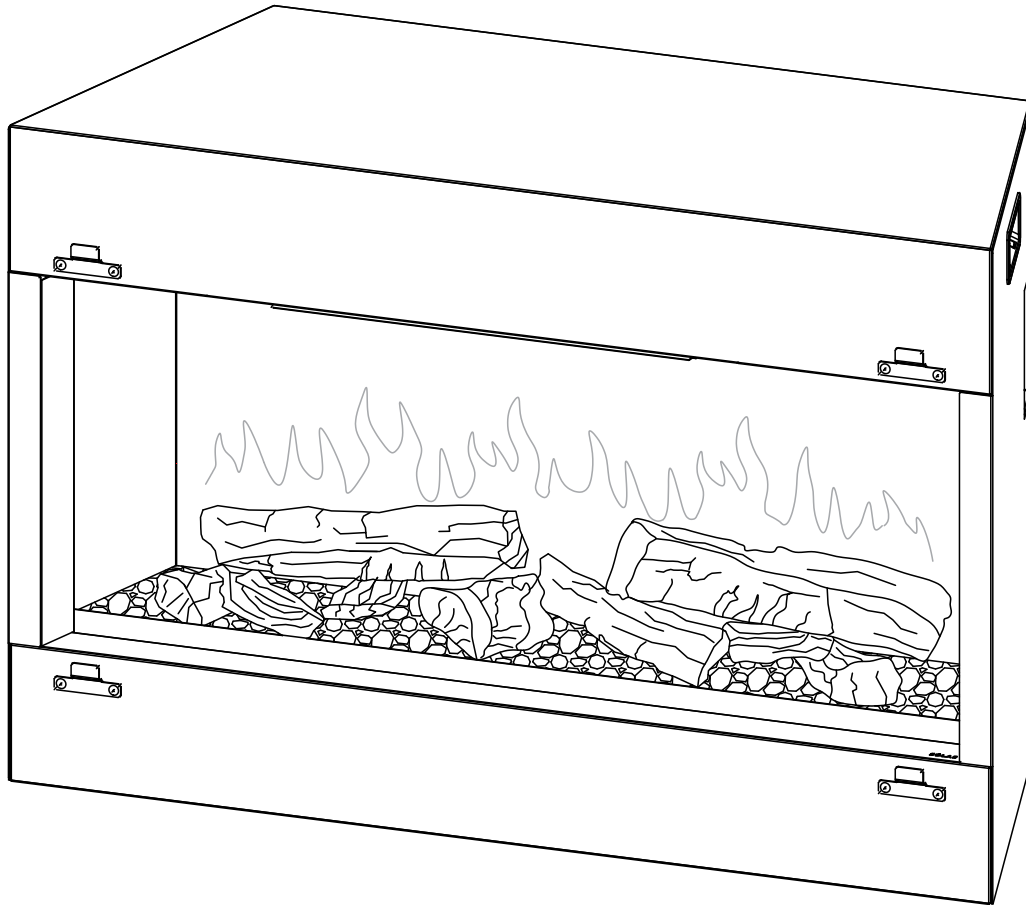


SÓLAS

ELECTRIC FIREPLACE INSERT/BUILT-IN FIREPLACE

INSTALLATION & OPERATION MANUAL

MODEL: 26E-FI



⚠ WARNING

Read and understand this entire owner's manual, including all safety information, before connecting power or using this product. Failure to do so could result in fire, electric shock, or serious personal injury.

⚠ WARNING

Keep this owner's manual for future reference. If you sell or give this product away, make sure this manual accompanies this product.

As this item contains many parts, please read the installation instruction carefully before installation. Please use tools properly and carefully.

INSTALLER: Leave this manual with appliance | **CONSUMER:** Retain this manual for future reference

INSTALLATION RECORD

SÓLAS

The installer should complete the form below that describes the details of the installation. Having this written record of installation information available will greatly expedite troubleshooting should any problem arise with your fireplace.

Date Purchased: _____

Dealer: _____

Date Installed: _____

Installer: _____

Fireplace Model: **26-E-FI**

Serial Number: _____

Installation notes: _____

CONTENTS

Installation Record	2
Important Safety Information.....	4
Technical Specifications	7
Parts & Hardware	8
Dimensions	9
Installation Instructions	10
Operating Instructions	18
Remote Operation.....	19
Maintenance	22
Replacement Parts List	23
Warranty Information	24

Congratulations on your purchase of a SÓLAS Electric Fireplace!

We welcome you to the SÓLAS family of fireplaces. Each of our products are skillfully designed in the USA. We take great pride in every fireplace to ensure your safety and warmth throughout the years.

Warmly,
The SÓLAS Team

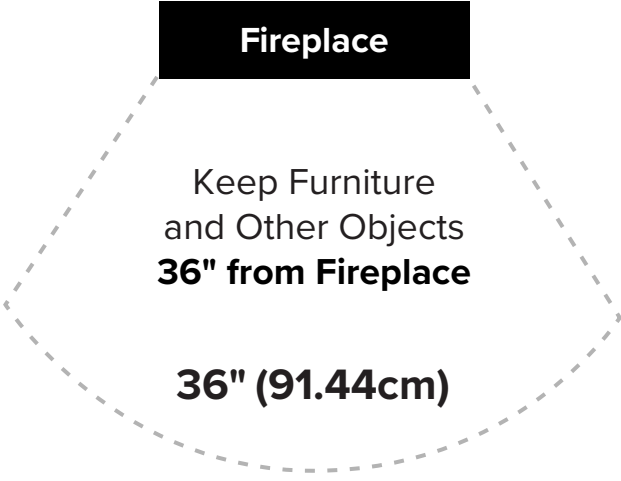

WE STRONGLY SUGGEST THAT YOU READ THIS MANUAL THOROUGHLY BEFORE BEGINNING THE INSTALLATION OF THIS ELECTRIC FIREPLACE. ALTHOUGH THE BASIC REQUIREMENTS FOR THE INSTALLATION OF ELECTRIC FIREPLACES ARE SIMILAR, EACH SPECIFIC PRODUCT HAS ITS OWN UNIQUE SET-UP AND INSTALLATION REQUIREMENTS THAT MUST BE FOLLOWED EXACTLY. PLAN YOUR INSTALLATION IN ADVANCE BY CAREFULLY REVIEWING ALL THE INFORMATION CONTAINED IN THIS MANUAL.

The information contained in this manual is believed to be correct at the time of printing. SÓLAS LLC. reserves the right to change or modify any information or specifications without notice. SÓLAS LLC grants no warranty, implied or stated, for the installation or maintenance of your appliance, and assumes no responsibility for any consequential damage(s).

© 2024 Copyright SÓLAS LLC.

IMPORTANT SAFETY INFORMATION

When using electrical appliances, basic precautions should always be followed to reduce the risk of fire, electric shock, and injury to persons, including the following:

- Read all instructions before installing or using this appliance.
 - **THIS APPLIANCE IS HOT WHEN IN USE. To avoid burns, do not let bare skin touch hot surfaces.** Keep combustible materials, such as furniture, pillows, bedding, papers, clothes, etc. and curtains at least 36" (0.9 m) from the front of the appliance and keep them away from the sides and rear.
 - Extreme caution is necessary when any appliance is used by or near children or invalids and whenever the appliance is left operating and unattended.
 - **Do not operate this appliance if you suspect it has malfunctioned.** Disconnect power at service panel and have appliance inspected by a reputable electrician before reusing.
 - **Do not use outdoors.**
 - To disconnect heater, turn controls to off, and turn off power to appliance circuit at main disconnect panel (or operate internal disconnect switch if provided).
 - **DO NOT run power cord under carpeting. DO NOT cover power cord with throw rugs, runners, or similar coverings. DO NOT route power cord under furniture or appliances. Arrange power cord away from traffic area, and where it will not be tripped over.**
 - **DO NOT insert or allow foreign objects to enter any ventilation or exhaust opening, as this may cause electric shock or fire, or damage the heater.**
 - To prevent a possible fire, **do not block air intakes or exhaust in any manner.**
 - This appliance has hot, arcing, or sparking parts inside. **Do not use it in areas where gasoline, paint, or flammable vapors or liquids are used or stored.**
 - Use this appliance only as described in this manual. Any other use not recommended by the manufacturer may cause fire, electric shock, or injury to persons.
- 
- **WARNING: DO NOT COVER**  **symbol on louver of fireplace**
 - This appliance **MUST** be grounded.
 - **ONLY SUPPLY POWER AS SPECIFIED ON RATING LABEL.** Do not install any device designed to regulate or modulate power
 - **NEVER** use this appliance in bathrooms, laundry rooms, or any other location where the appliance could fall into a bathtub or pool, become damp, or come in contact with water.
 - **AVOID FIRE!** Regularly inspect all air vents to make sure they are free from dust, lint, or other blockage. Disconnect power at the electrical panel or unplug the unit and clean with a vacuum **ONLY. DO NOT** rinse or get wet.
 - **NEVER** hang this unit on a wall directly below an electrical outlet.
 - **WARNING: DO NOT DEPEND ON THE ON/OFF SWITCH THE SOLE MEANS OF DISCONNECTING POWER WHEN SERVICING OR MOVING THE HEATER AND ALWAYS SHUT OFF POWER AT THE ELECTRICAL PANEL.**
 - **WARNING: REDUCE THE RISK OF FIRE OR ELECTRIC SHOCK—DO NOT USE THIS APPLIANCE WITH ANY SOLID STATE SPEED CONTROL DEVICES.**

IMPORTANT SAFETY INFORMATION

- This product is not intended to be a primary heat source. It is for supplemental heat only.
- Risk of electric shock! **DO NOT OPEN!** No user-serviceable parts inside!
- **NEVER** modify this heater. Doing so could result in personal injury or property damage. Modification of this fireplace completely voids all warranties.
- **ALWAYS** turn this appliance off before before shutting off power at the electrical panel or unplugging it from the outlet.
- **ONLY** use this appliance on a 120V AC 15-Amp circuit. **NEVER** overload the circuit. If this appliance trips the circuit breaker, unplug all other appliances on the same circuit before the next use. Avoid plugging other appliances into the same circuit as this heater.
- **SAVE THESE INSTRUCTIONS**

This device complies with part 15 of the FCC Rules. Operation is subject to the following two conditions:

1. This device may not cause harmful interference, and
2. This device must accept any interference received, including interference that may cause undesired operation.

FCC Warning:

Any changes or modifications not expressly approved by the party responsible for compliance could void the user's authority to operate the equipment.

Note: This equipment has been tested and found to comply with the limits for a Class B digital device, pursuant to part 15 of the FCC Rules. These limits are designed to provide reasonable protection against harmful interference in a residential installation. This equipment generates uses and can radiate radio frequency energy and, if not installed and used in accordance with the instructions, may cause harmful interference to

radio communications. However, there is no guarantee that interference will not occur in a particular installation. If this equipment does cause harmful interference to radio or television reception, which can be determined by turning the equipment off and on, the user is encouraged to try to correct the interference by one or more of the following measures:

- Reorient or relocate the receiving antenna.
- Increase the separation between the equipment and receiver.
- Connect the equipment into an outlet on a circuit different from that to which the receiver is connected.
- Consult the dealer or an experienced radio/TV technician for help.

This equipment complies with IC RSS-102 RF exposure limits set forth for an uncontrolled environment. This equipment should be installed and operated with minimum distance 20cm between the radiator & your body.

IC warning

This device complies with Industry Canada licence-exempt RSS standard(s).

Operation is subject to the following two conditions:

1. This device may not cause interference, and
2. This device must accept any interference, including interference that may cause undesired operation of the device.

This equipment complies with IC RSS-102 RF exposure limits set forth for an uncontrolled environment. This equipment should be installed and operated with minimum distance 20cm between the radiator & your body.

**WARNING: NO SCREWS OR FASTENERS
MAY PENETRATE THE APPLAINCE DURING
INSTALLATION.**

TECHNICAL SPECIFICATIONS

Technical Specifications

Models: 26E-FI

SUPPLY VOLTAGE	AC 120V, 60HZ
Maximum Power Consumption	1500 W

Power for Flame, Fuel/Ember Bed and Down Light Effect:

26E-FI
18.5 W

Rating Plate

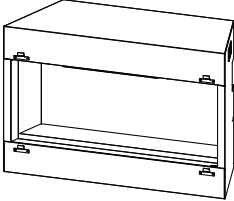
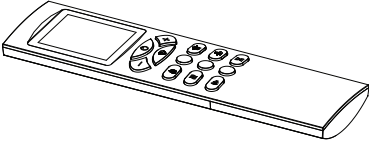
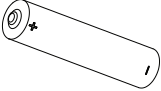

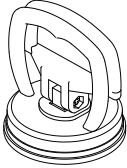

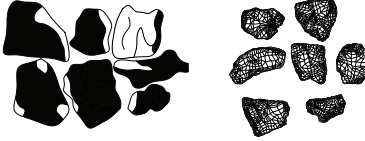


The rating plate is located on the face of the appliance, in the lower left corner.



PARTS & HARDWARE

Parts and Hardware

1. Unpack the fireplace carefully and make sure that the appliance is intact with no signs of damage caused by transport and no part has been exposed to water. If in doubt, do not use the appliance and contact your retailer.
2. Keep plastic wrapping away from children.
3. Save the original packaging as this may be required in the event of service complaint with product.
4. Check that all parts are removed from the packing.

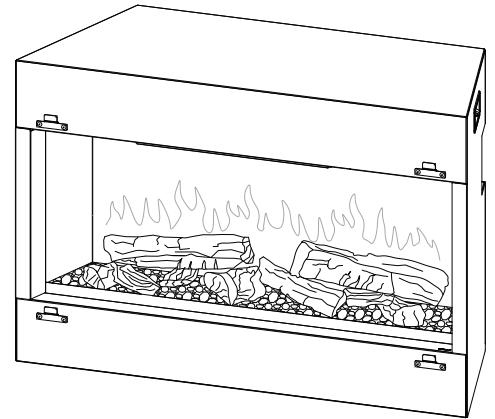
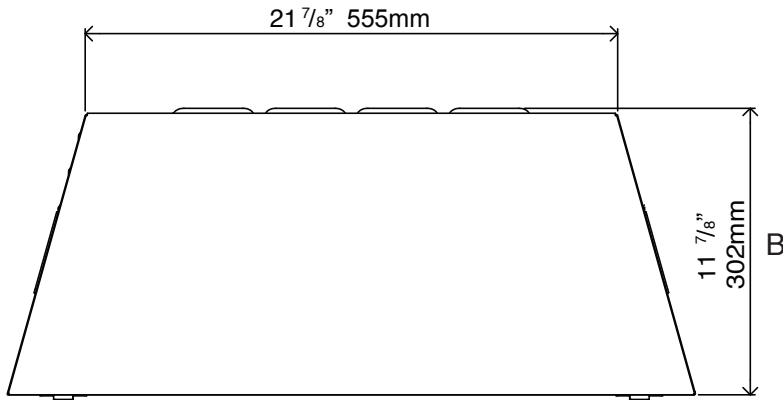
 <p>Fireplace (1)</p>	 <p>Remote Control (1)</p>	 <p>AAA Battery (2)</p>
 <p>Log (1 SET)</p>	 <p>Suction Cup Lifter (2)</p>	 <p>Magnet (1)</p>
 <p>Small & Flat Media (1 SET)</p>	 <p>Manual (1)</p>	 <p>Remote Holder (1) with Screws (2)</p>

DIMENSIONS

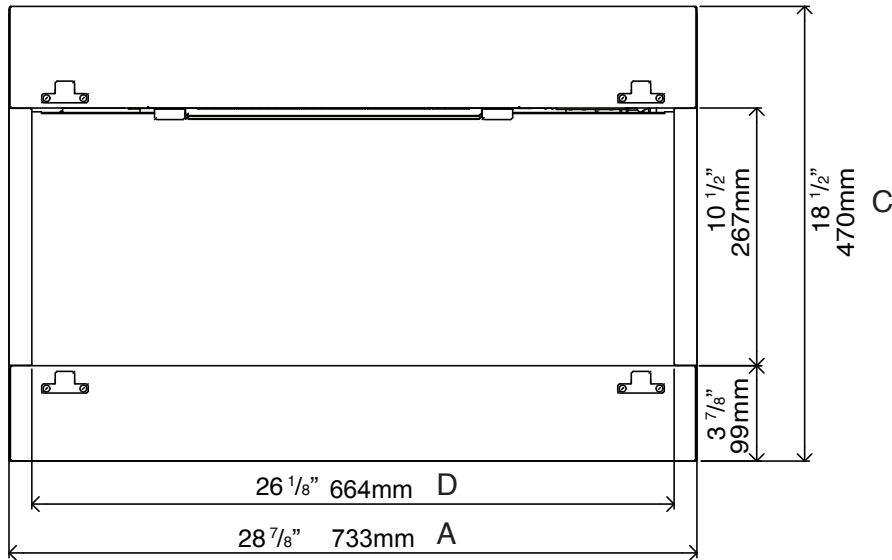
Appliance Dimensions

Model: 26E-FI

Top View



Front View

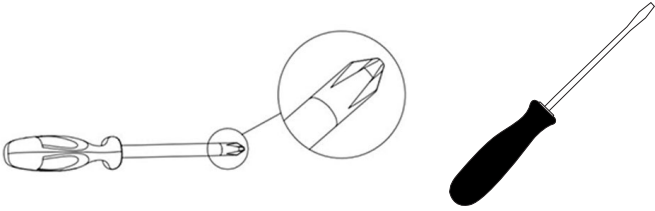


MODEL	A	B	C	D
26E-FI	28 $\frac{7}{8}$ " (733mm)	11 $\frac{7}{8}$ " (302mm)	18 $\frac{1}{2}$ " (470mm)	26 $\frac{1}{8}$ " (664mm)

INSTALLATION INSTRUCTIONS

Installation Instructions

Required Tools; Phillips Head Screwdriver, and small Flat Head Screwdriver



Appliance Location

Your new electric fireplace may be installed virtually anywhere in your home. However, when choosing a location, ensure that the general instructions are followed:

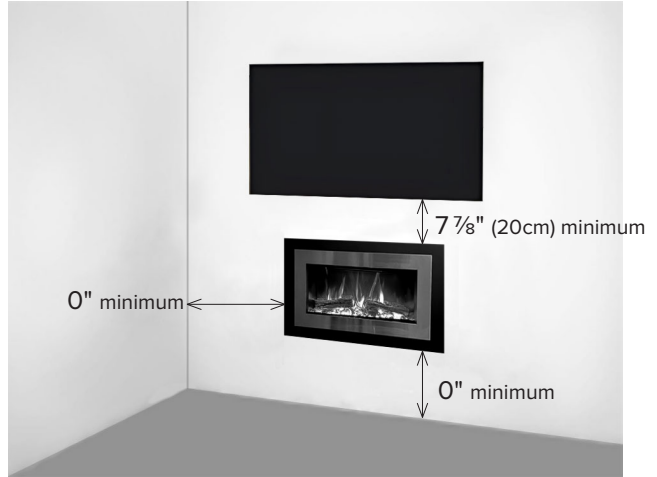
- For best result, install out of direct sunlight, water or very damp air.
- The appliance should be connected to an grounded electrical outlet and it must be easily accessible to allow disconnection.

The following is only given as a general guide because it can be installed in different ways.

Provided you ensure electric connections are safely made in accordance with the codes, various materials can be used for the framework and cladding. Ensure the framing and wall finish are self-supporting and do not rely on the appliance to support framing or wall finish. Consideration should be made to soften the internal surface of any cladding to minimize that amplification of noise.

Minimum Clearance to Combustible

Sides	0"
Floor	0"
Back	0"
Top (Mantel / Electronics)	7 7/8" (20cm) minimum
Front	36" (91cm) minimum



INSTALLATION INSTRUCTIONS

Prepare the Electrical Supply

Plan the location of the appliance so that it will have adequate electric power. A 15 AMP, 60Hz circuit is required for 120V installation. The appliance should be ideally be located close to a suitable main socket to enable power connection.

Always make sure the outlet is in good condition and the plug is not loose. NEVER exceed the maximum amperage of the circuit.

Insure installation will comply with all local building codes.

WARNING! All electrical installation must be performed by a qualified electrician and must be electrically wired and grounded in accordance with local codes, if hard wired. Please contact SÓLAS if you need the compatible power cord for installation.

Installing the Appliance

The installation must conform to local regulations and must also comply with the instruction supplied by SÓLAS. Service and removal must be carried out an authorized person.

INSTALLATION INSTRUCTIONS

Fireplace Surround

The Fireplace Surround is offered to help finish the appliance, either when installed as a fireplace insert into a chimney or framed into the wall as a built-in. Follow the instructions below to install the surround.

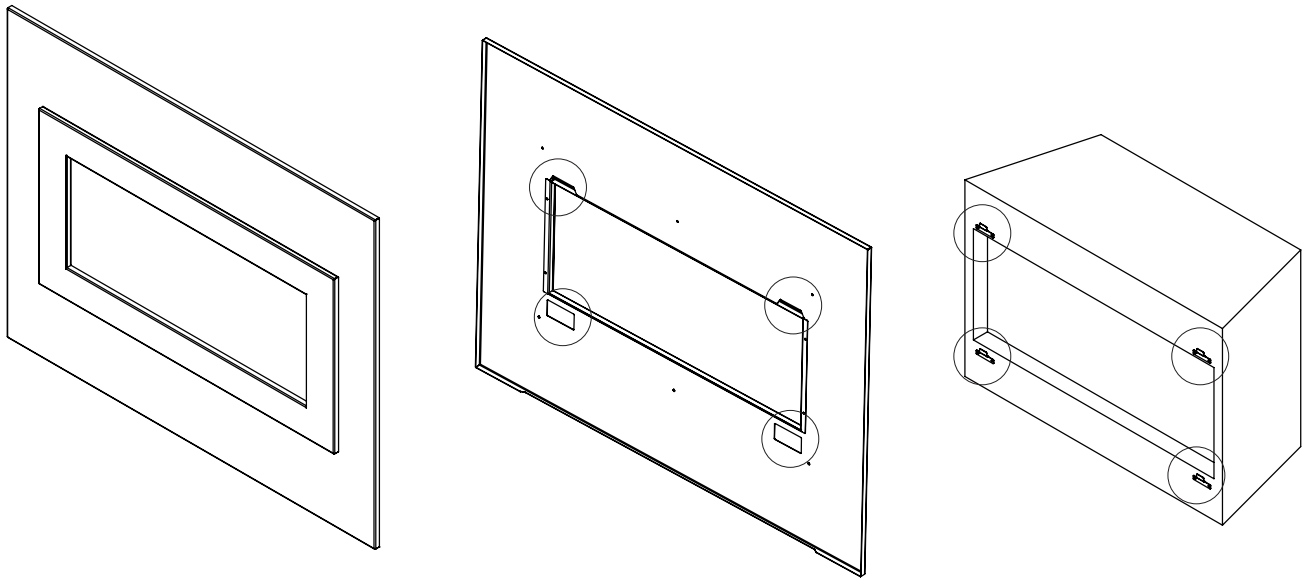
Standard Surround Sizes*

Standard Symmetrical	38" (965mm) W x 21" (533mm) H
Medium Symmetrical	40" (1016mm) W x 25" (635mm) H
Standard Asymmetrical.....	38" (965mm) W x 26" (660mm) H
Medium Asymmetrical.....	40" (1016mm) W x 29" (737mm) H

**Custom Surround Sizes available.*

Installing Fireplace Surround

- Engage the hanging hooks on the front side of the fireplace with the front face surround on the hangers located on the top left and right side and bottom left and right side of the insert.



Built-In Fireplace Trim

See supplemental installation instructions.

INSTALLATION INSTRUCTIONS

Installing into an Existing Fireplace

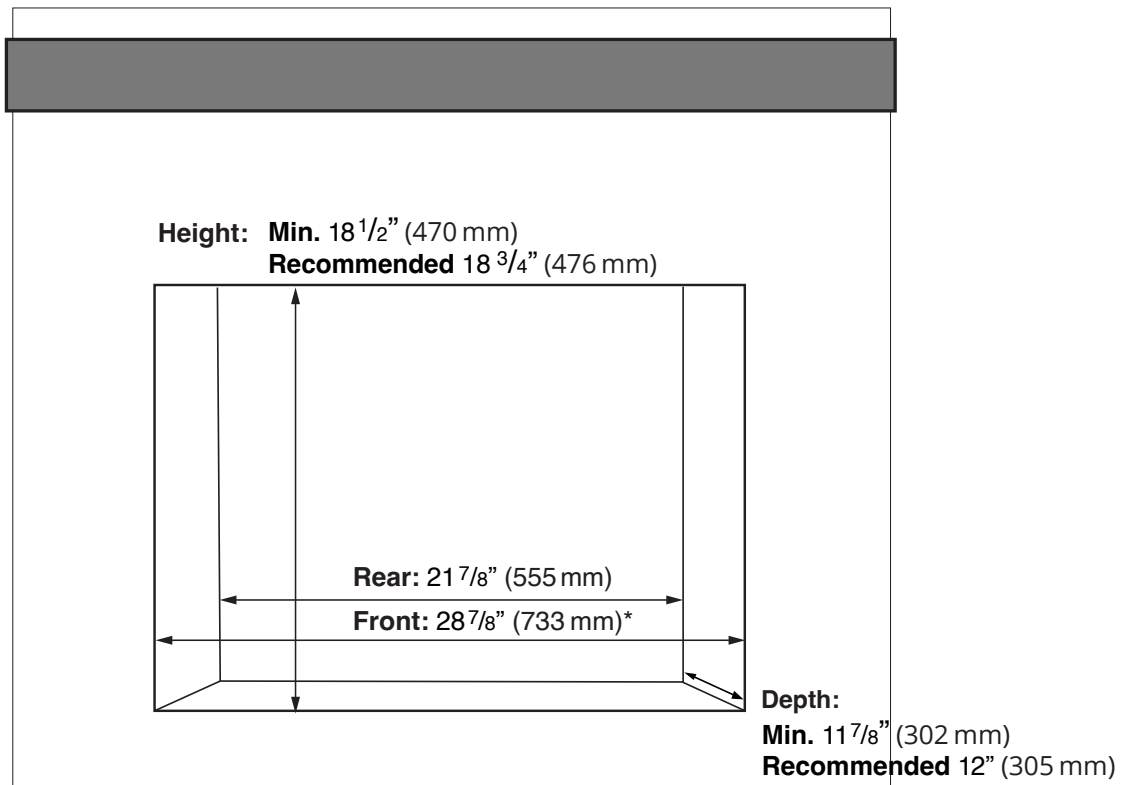
When the appliance is to be fitted into or against an open flue or chimney, it is important that the flue/chimney is blocked, for example with 'Rockwool' to avoid a negative air pull that may oppose the heater fan.

Clean and Insulate Existing Fireplace Cavity

A few points that must be considered before inserting the **SÓLAS TWENTY6 Electric Fireplace Insert (26E-FI)** into an existing fireplace cavity including minimum cavity dimensions shown below.

- **Clean Fireplace and Chimney.** Have the chimney swept and the fireplace cavity including ash dumps and clean-outs cleaned before installing the 26E-FI fireplace. Any creosote or soot residue remaining in the fireplace cavity chimney or clean-out may cause odors or stains once the 26E-FI insert is installed. Consult with chimney sweep for information on how best to clean.
- **Existing Dampers.** Close off the dampers and clean-outs.
- **Ash Retaining Curbs.** Some fireplaces (particularly factory-built) have a raised curb at the front edge to retain ashes. Check the dimensions carefully to ensure the 26E-FI will fit behind any raised curb (Note: some curbs may be removed separately from the refractory base).

Minimum Dimensions



INSTALLATION INSTRUCTIONS

Installing into a Built-in Cavity

Framing

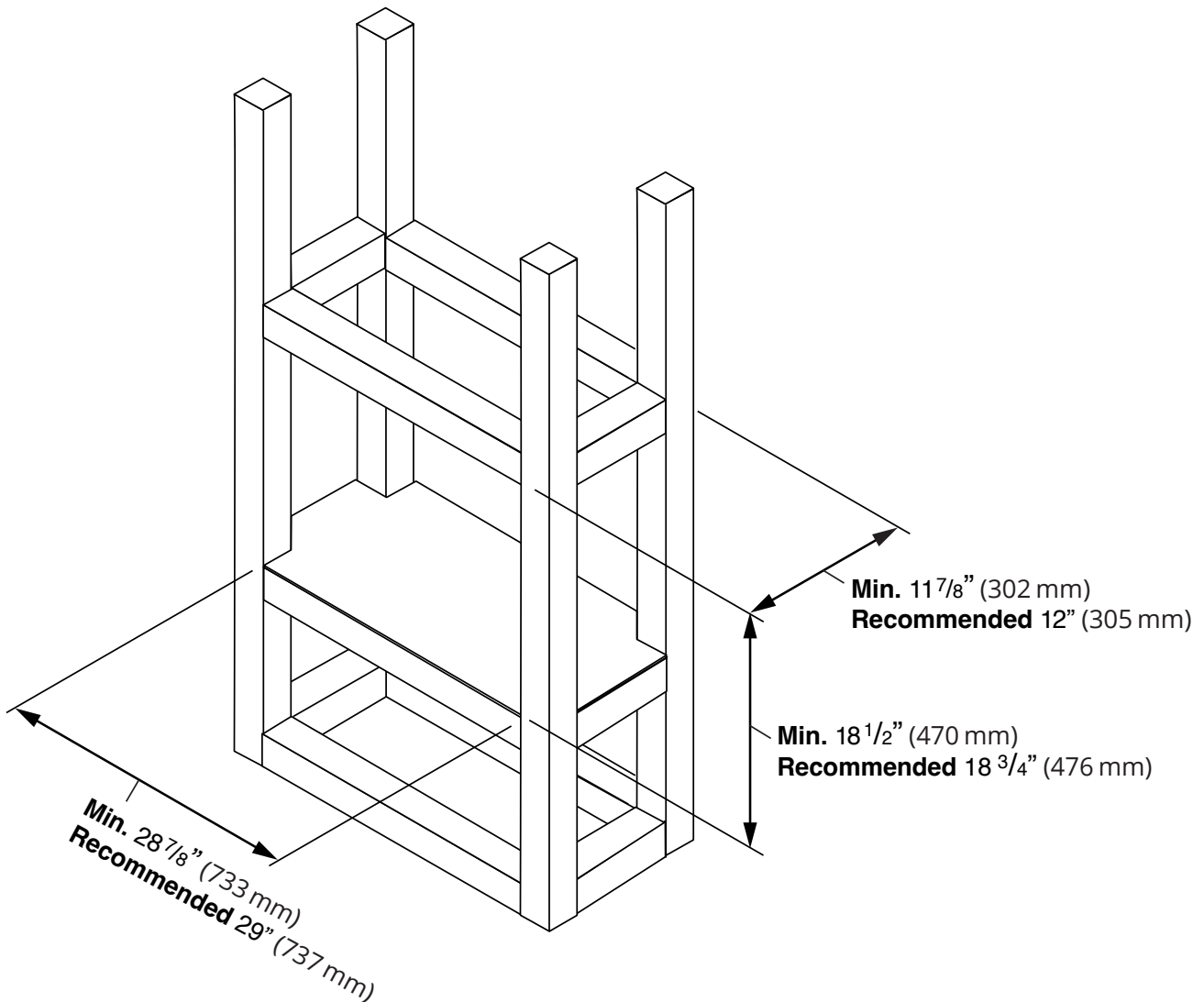
As a general guide only, see drawing below.

NOTE: Ensure a firm, level positioning of the appliance to avoid vibration and movement of the appliance after finishing.

Wall Finish

Hard surfaces can amplify sound. Consider adding some underlay or similar material to the inside surface of the wall finish.

WARNING: NO SCREWS OR FASTENERS MAY PENETRATE THE APPLIANCE DURING INSTALLATION.



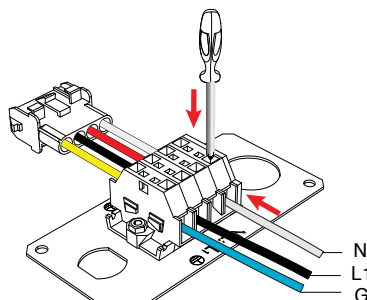
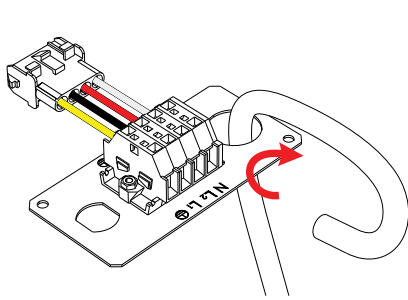
INSTALLATION INSTRUCTIONS

Connect the Power Supply

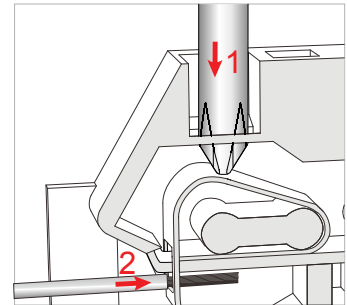
This appliance operates on 120V. The power connection can be made with the 6 ft Main Cable provided or alternatively it can be hard wired by unscrewing and removing the Access Plate, the Mains Cable and retention grommet. The access plate can be repositioned so that the 3/4" Knockout (19mm) sits over the cutout in back of appliance. The 3/4" Knockout (19mm) can be used for hard wiring access with a non-metallic cable connector (Strain Relief Clamp).

WARNING! All electrical installation must be performed by a qualified electrician and must be electrically wired and grounded in accordance with local codes or, in the absence of local codes, with the National Electrical Code, ANSI/NFPA 0 or the Canadian Electrical Code, CSA C22.1.

Hard Wiring



120V

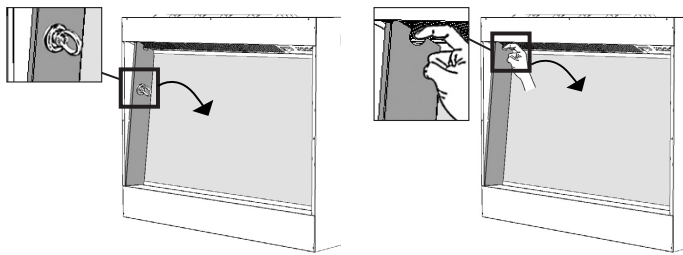


NOTE: A strain relief is required where the incoming wires pass through the metal plate.

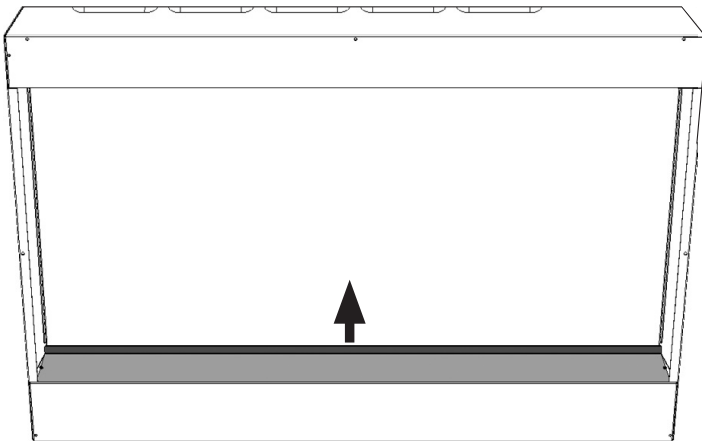
INSTALLATION INSTRUCTIONS

Prepare the Appliance

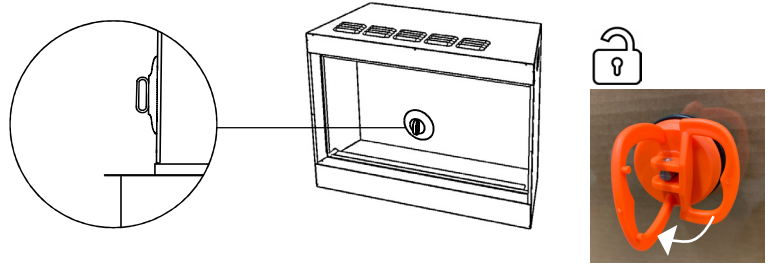
1. Using the small magnetic handle, stick it just above the center of one of the appliance's side panel. The side panels are held in place by magnets.
2. Pull the panel towards the center of the appliance then grab it and remove it. Alternately, you can pull out the side panels by inserting your finger in the cutout at the top of each panel and gently guide them out.



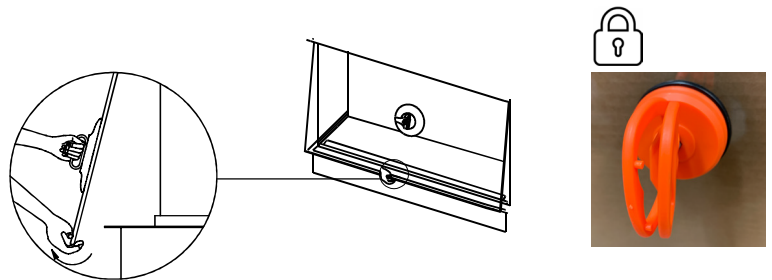
3. Repeat with the other side panel.
4. On the bottom horizontal panel in front of the glass, remove one screw at each end. Lift the panel out using the magnet handle.



5. Using the suction cup lifters (orange) provided to support the middle of the glass panel and lift the panel upwards and pull it forwards as its lower edge. Carefully lift glass away as shown below.



6. Very carefully pull the glass bottom first and then slide down top to disengage it from the top strip. Set aside in a safe location to avoid damaging it.



INSTALLATION INSTRUCTIONS

INSTALLATION

Slide the fireplace into the cavity of the existing prepared fireplace or into the built-in framing.

Plug in the fireplace or hardwire it. See details under “Connect the Power Supply” on page 14 in this manual.

Check that the power functions using the appliance’s control panel—see page 17.

Logs and Ember/Fuel Bed Installation

Every log has a number on it for identification. Place the logs on the ember/fuel bed according to the template printed on the ember/fuel bed panel. The log placement is important to obtain the most realistic, aesthetic.



Ember/Fuel Bed

Once the appliance is in final place, install the ember/fuel bed. It helps to turn the fireplace’s lights on when placing the logs to highlight their details. See the appliance’s control panel on the bottom of the following page or use the remote control, page 19.

26E-FI Log Configuration

1. Identify and layout the logs for your fireplace model. Unpack the logs carefully, then place them according to the template printed on the ember/fuel bed.
2. Scatter small and flat media around all the logs, ensuring that all visible areas of the fuel bed, including underneath and behind the logs, are covered.
3. Place the bark pieces to fill the gaps among the logs for a better effect.

Reinstall the Glass

In reverse order, reinstall the glass on the fireplace, being very careful when manipulating it—see page 15 for reference.

1. Slide the glass pane behind the top black strip then push the top in place.
2. Reinstall the bottom, glass retaining strip securing it with two screws.

Front Surround

See Fireplace Surrounds on page 12 in this manual for Surround Dimensions. Install the chosen front surround according to the installation instructions provided.

OPERATING INSTRUCTIONS

BEFORE OPERATION

WARNING! Do not operate the appliance if it is damaged or has malfunctioned. If you suspect the appliance is damaged or has malfunctioned, call a qualified service technician to inspect the appliance, and replace any part of the electrical system if necessary before re-use.

WARNING! To reduce the risk of fire, keep textiles, curtains, or any other flammable material a minimum distance of 36" (1m) from the air outlet.

Operating Instructions

1. BE SURE the plug fits tight in the outlet.

Faulty wall outlet connections or loose plugs can cause the outlet to overheat.

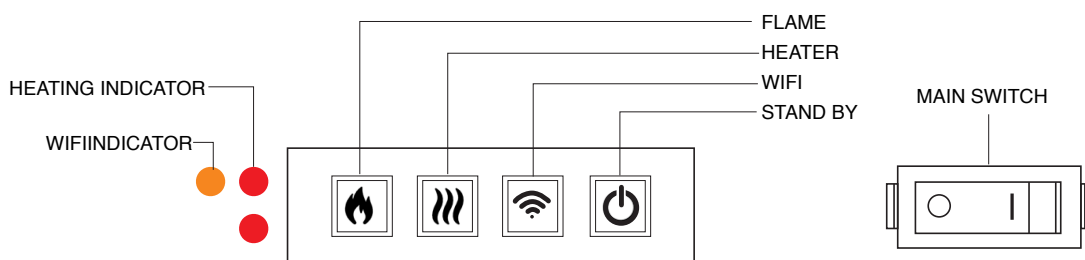
NOTE: Most jurisdictions require an outlet be accessible and therefore do not permit these built in products to receive power via an enclosed wall outlet and must be hardwired by a licensed electrician.

Do not disconnect the power at the electrical panel while the appliance is running. Use the functions on the remote to turn the fire off and ensure the mains switch has been moved to the off position before disconnecting.

The appliance can be operated conveniently in 4 different ways:

- Manual Control Panel, on the appliance
- Remote Control Handset, or
- Smartphone/Tablet with iOS/Android App
- Through Smart home integration

Appliance Control Panel



2. Manual Control Panel

MAIN SWITCH

Press "I" to turn on the appliance, and press "O" to turn off the appliance. Memorized information will be lost if the appliance is turned off by main switch.

STAND-BY

Press "STAND-BY" to turn on memorized crackling, flame, down light and fuel bed effect, or turn off all functions at the same time after power is on. To return to the previous flame, down light, and fuel bed effect, as when the unit was last operating, or to turn off all functions at the same time if the unit is currently operating, press the "STAND-BY" button.

FLAME

Press "FLAME" to cycle through 9 flame effects and off setting.

Long press "FLAME" after power is on to enter or cancel the mute mode of the button sound. A short beep sound will be heard every time you press a button if the mute mode is canceled.

HEATER

Press "HEATER" to cycle through heat LOW/HIGH/OFF.

When the heater is on, if flame, fuel bed, and down light are working, the heater indicator will be off after 10 seconds, and if flame, fuel bed and down light are all off at the same time, the heater indicator will keep on.

WiFi

Long press "HEATER" for 3 seconds after power is on, if two long beeps are heard, the WiFi signal is in good condition, otherwise there is weak or no WiFi signal.

Press "WIFI" to enter or cancel WIFI mode. When the WIFI indicator turns orange, the WIFI mode is on, if the WIFI indicator is off, the WIFI mode is off, and if the WIFI indicator flashes, the WIFI function is connecting.

3. Remote Control Handset

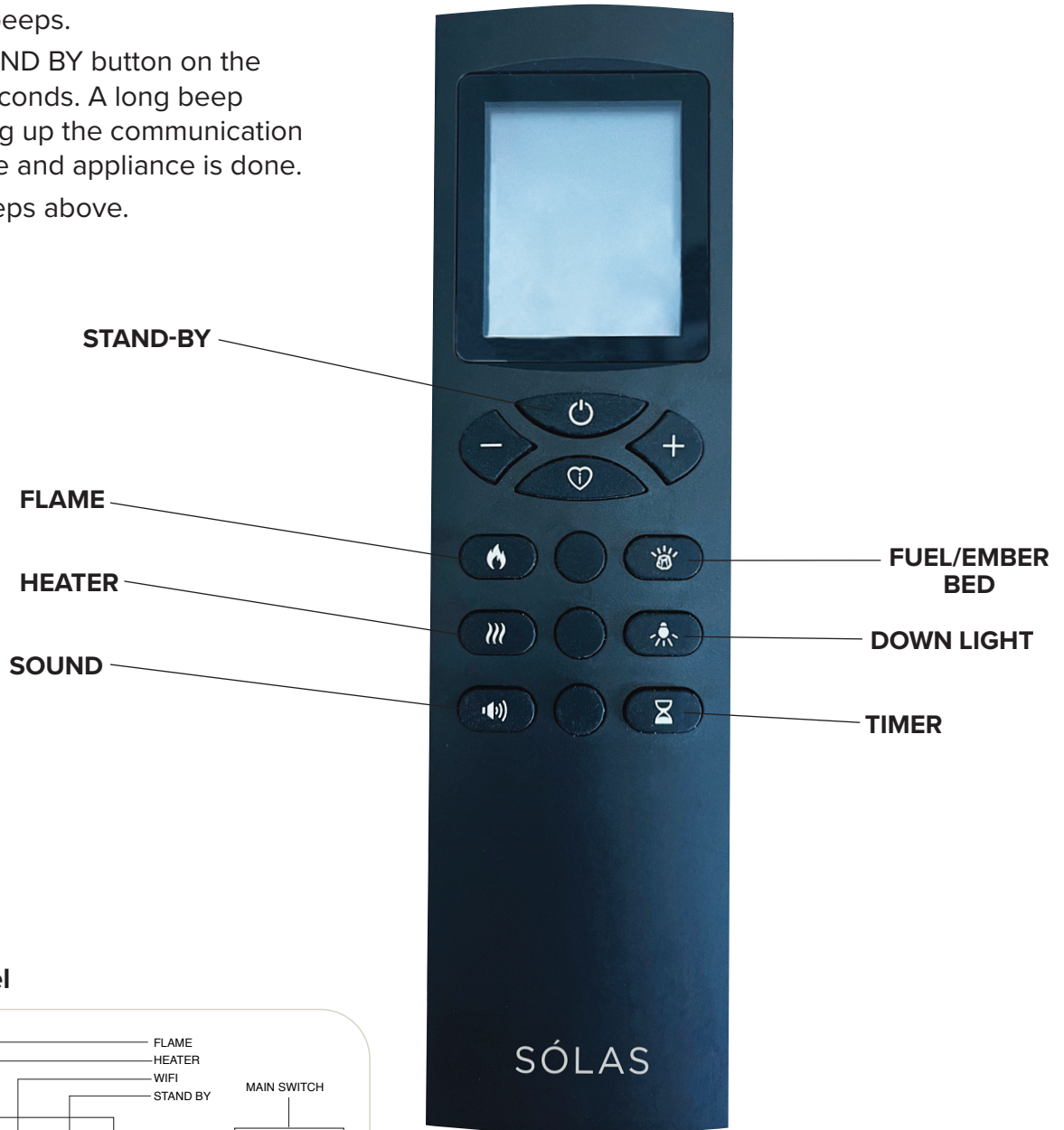
SET UP THE COMMUNICATION BETWEEN THE REMOTE AND THE FIREPLACE

Below operations should be carried out before programming, when changing to a new remote or in the event the fireplace cannot be controlled by the remote:

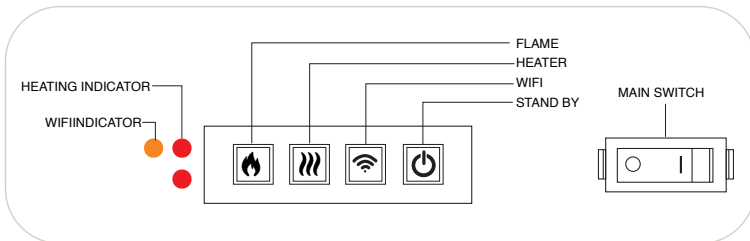
- Press the STAND BY button on the control panel for 3 seconds after power is on until you hear two long beeps.
- Then press the STAND BY button on the remote within 10 seconds. A long beep indicates that setting up the communication between the remote and appliance is done.
- If not, repeat the steps above.

SÓLAS

ELECTRIC REMOTE MAIN DISPLAY OVERVIEW











Appliance Control Panel



OPERATING INSTRUCTIONS

Remote Control Functions

BUTTON	FUNCTION	ACTION
	Stand-By Button. To turn on the flame, down light and fuel bed, or turn off all functions at the same time.	After power is on, press to turn on sound, flame, down light and fuel bed, or turn off all functions at the same time.
	Flame Button. Cycle through 9 flame effects and flame off setting.	Press to cycle through 9 different flame effects and off setting. After pressing " FLAME ", press "+" or "-" to adjust the flame brightness.
	Ember/Fuel Button. Cycle through 9 different ember/fuel bed effects and off setting.	Press to cycle through 9 ember/fuel bed effects and off setting, the remote screen will display Fb.1, Fb.2,...Fb.9, Fb.0 accordingly. After pressing " EMBER/FUEL BED ", press "+" or "-" to adjust the fuel bed brightness.
	Heat Button. To cycle through heating LOW/HIGH/OFF, and also switch between °F and °C.	Press to cycle through heating LOW/HIGH/OFF. While operated by the remote, the heater will work when the setting temperature is higher than the room temperature. Long press 3 seconds to switch between °F and °C.
	Sound Button. To turn the crackling sound on or off.	Press " SOUND " button to turn crackling sound on or off. When the flame is on, after pressing " SOUND ", press "+" or "-" to adjust the sound volume.
	Down Light Button. To cycle through 9 down light effects and off setting.	Press to cycle through 9 down light effects and off setting, and the remote screen will display dL.1, dL.2,...dL.9,dL.0 accordingly. After pressing " DOWN LIGHT ", press "+" or "-" to adjust the brightness of down light.
	Timer Button. To set the timer from 0.5H to 9.0H.	When the timer function is off, press to set the " TIMER " from 0.5H, 1.0H, 2.0H, 3.0H, 4.0H, 5.0H, 6.0H, 7.0H, 8.0H, 9.0H, OFF. When the timer function is on, press once to check the remaining time, press again to check the next level of the timer, press "+" or "-" to set the timer.
	Favorite Button. To set your favorite SÓLAS electric fireplace effect.	Long press 3 seconds to memorize the current flame, down light, fuel bed, and crackling effect. Short press to enter or cancel the memorize state.
+ -	Up/Down Button(s). To set the brightness of flame, down light or fuel bed or adjust the volume of crackling sound.	Different levels of brightness of flame, down light and fuel bed, or volume of crackling sound can be set when corresponding icon shows on the remote screen.

NOTE: The remote control handset must be left in the same room, (within 25 feet of appliance for proper operation) as it houses the thermostat that regulates heat output. Also, when using the APP, the remote must also be in the same room and have batteries fitted and working to ensure accurate temperature control.

- To remove the batteries, open the back cover of the remote control handset and replace with new ones. Pay attention to the positive and negative poles.
- Two AAA alkaline batteries are required for the remote control.

- Exhausted batteries are to be removed from the appliance and safely disposed of.
- These non-rechargeable batteries are not to be recharged.
- Different types of batteries or new and used batteries are not to be mixed.
- Batteries are to be inserted with the correct polarity.
- If the appliance is to be stored unused for a long period, the batteries should be removed.
- The supply terminals are not to be short-circuited.

4. WiFi Connection

Smartphone/Tablet with iOS/Android App

Visit your device APP store (iOS or Android) to download the **TUYA SMART APP** Once installed follow the procedure below to pair the device with your appliance:

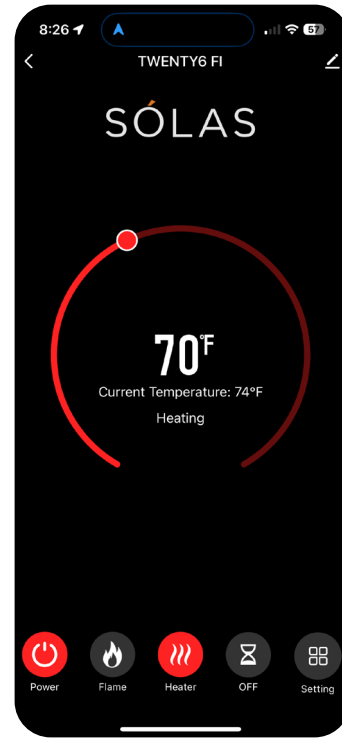
1. Start the APP and click “Add Device” on screen. Select “Small Home Appliance” from the list, then select “Heater (Wi-Fi)”.
2. Ensure the appliance is powered on then press and hold the WiFi button on the appliance until you hear 3 beeps. At the same time the button and the fuel bed will flash.
3. Follow the instructions on the app to input your home network details. Note, your device must also be connected to the same home network you wish to connect the appliance to.

Once connected you can fully control your appliance.

RESETTING THE THERMAL CUT OUT

The appliance is fitted with an Electronic Safety Control (E.S.). This is a safety device which switches off the heater and blower if, for any reason, the appliance overheats, e.g. when covered. If the heater stops operating while the flame effect continues working normally, this indicates that the E.S. Control is in operation. The E.S. control can only be re-set after the appliance has cooled down, and the appliance has been reset. Resetting of the E.S. Control procedures are as follows:

1. Press button **STAND-BY** on fire to turn off the appliance and leave it off for approximately 10-15 minutes.
2. Remove any obstruction to the fan heater outlet or fan blades etc. Make sure that the power supply is disconnected with the plug socket outlet while doing this.
3. Turn on the appliance and the E.S. Control will be reset.
4. Ensure that the appliance is functioning correctly. If the E.S. Control operates again, the appliance should be checked by a competent electrician.



TUYA SMART APP

QR Code Download



Apple App Store (IOS)



Google App Store (Android)

SÓLAS Electric Fireplaces are also Google Home and Amazon Alexa Compatible.

Download the Google Home app or Amazon Alexa app to get started.

TIP

Make sure Bluetooth and Wifi are turned on, fire should also be on.

MAINTENANCE

**WARNING! Risk of electric shock! DO NOT OPEN!
No user-serviceable parts inside!**

Electrical and Moving Parts:

- The fan motors are lubricated at the factory and will not require lubrication.
- Electrical components are integrated in the fireplace and are not serviceable by the consumer.

Before any maintenance or cleaning of the exterior of the fireplace, the unit should be disconnected from the power supply AND cooled off.

ALWAYS turn the heater OFF and unplug the power cord from the outlet before cleaning, performing maintenance, or moving this fireplace. Failure to do so could result in electric shock, fire, or personal injury.

CLEANING

Metal:

- Buff using a soft cloth, slightly dampened with a citrus oil-based product.
- DO NOT use brass polish or household cleaners as these products will damage the metal trim.

Glass:

- Use a good quality glass cleaner and dry thoroughly with a paper towel or lint-free cloth.
- NEVER use abrasive cleansers, liquid sprays, or any cleaner that could scratch the surface.

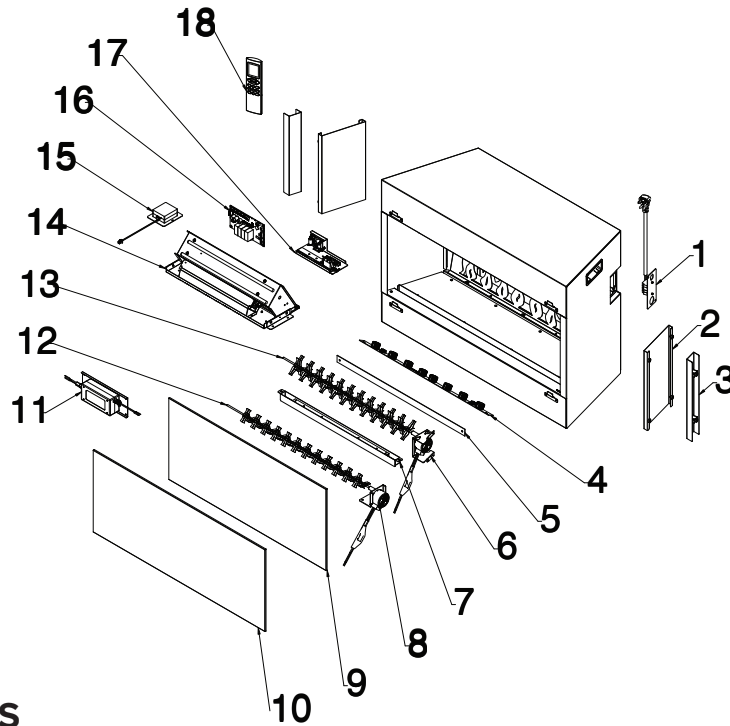
Plastic:

- Wipe gently with a slightly damp cloth and a mild solution of dish soap and warm water.
- NEVER use abrasive cleansers, liquid sprays, or any cleaner that could scratch the surface.

Vents:

- Use a vacuum or duster to remove dust and dirt from the heater and vent areas.
- Clean the exterior of the fireplace with a slightly damp cloth or duster.

REPLACEMENT PARTS LIST



REPLACEMENT PARTS

#	DESCRIPTION	SÓLAS PART NUMBER
1	Power Cord	E50124R
2	Interior Trim Panel	E52624R
3	Trim Panel	E52724R
4	Flame LED Board	E52824R
5	Fuel / Ember Bed LED Board	E52924R
6	Flame Motor	E5091224R
7	Down Light	E53024R
8	Fuel / Ember Bed Motor	E5111224R
9	Flame Screen	E53124R
10	Front Glass Panel	E53224R
11	Switching Mode Power Supply	E50724R
12	Fuel / Ember Bed Spindle	E53324R
13	Flame Spindle	E53424R
14	Heating Element	E53524R
15	Speaker	E50824R
16	PCB Board	E53624R
17	Control Box	E53724R
18	Remote Control	E52024R
19	Log Set	E5222624R
20	Small & Flat Media	E5232624R
21	Magnet	E52424R
22	Suction Cup Lifter	E52524R

REPLACEMENT PARTS

Use only replacement parts supplied by SÓLAS. Use of any other parts, or modifying the fireplace in any way, will void all warranties.

WARRANTY INFORMATION

THE WARRANTY

SÓLAS, LLC, a division of Progressive Manufacturing, Inc. ("SÓLAS"), Limited Warranty warrants your SÓLAS brand electric fireplace ("Product") to be free from defects in materials and workmanship at the time of manufacture.

Products covered by this limited warranty have been tested and inspected prior to shipment. Subject to the provisions of this warranty, SOLAS, warrants such products to be free from defects in material and workmanship for a period of two years from the date of purchase.

After installation, if covered components manufactured by SÓLAS are found to be defective in material or workmanship during the Limited Warranty period and while the Product remains at the site of the original installation, SÓLAS will, at its option, repair or replace the covered components.

If repair or replacement is not commercially practical, SÓLAS will, at its option, refund the purchase price or wholesale price of the SÓLAS product, whichever is applicable.

THERE ARE EXCLUSIONS AND LIMITATIONS to this Limited Warranty as described herein.

SÓLAS is not responsible for the labor costs to remove defective parts or reinstall repaired or replacement parts. Glass carries the Limited Warranty against thermal breakage only.

COVERAGE COMMENCEMENT DATE

Warranty coverage begins on the date of installation. The warranty shall commence no later than 24 months following the date of product shipment from SÓLAS, regardless of the installation date.

EXCLUSIONS AND LIMITATIONS

This Limited Warranty applies only if the Product is installed in the United States or Canada and only if operated and maintained in accordance with the printed instructions accompanying the Product and in compliance with all applicable installation and building codes and good trade practices.

This warranty is non-transferable and extends to the original owner only. The Product must be purchased through a listed supplier of SÓLAS and proof of purchase must be provided.

Any part that is provided under the warranty to repair any defect will continue to be covered under the existing warranty which commenced from the original purchase date. For avoidance of doubt, the guarantee period will not be extended even if we repair or replace a component.

Discoloration and some minor expansion, contraction, or movement of certain parts and resulting noise is normal and not a defect, and, therefore, not covered under warranty.

This warranty is void if:

- a) The unit has been operated in atmospheres contaminated by chlorine, fluorine or other damaging chemicals.
- b) The unit is subject to submersion in water or prolonged periods of dampness or condensation.

This limited warranty does not apply to products that have been repaired, except by SOLAS or its authorized service representatives, or otherwise altered. This limited warranty further does not apply to defects resulting from misuse, abuse, accident, neglect, incorrect installation, improper maintenance or handling, or operation with an incorrect power source. Products made by other manufacturers, sold with the product or thereafter, are not covered by this limited warranty. The use of unauthorized components will render this warranty null and void.

This Limited Warranty covers only parts as provided herein. In no case shall SÓLAS be responsible for materials, components, or construction, which are not manufactured or supplied by SÓLAS or for the labor necessary to install, repair, or remove such materials, components, or construction. Additional utility bills incurred due to any malfunction or defect in equipment are not covered by this warranty. All replacement or repair components will be shipped F.O.B. from the nearest stocking SÓLAS facility.

LIMITATION ON LIABILITY

It is expressly agreed and understood that SÓLAS' sole obligation and the purchaser's exclusive remedy under this warranty, under any other warranty, expressed or implied, or in contract, tort or otherwise, shall be limited to replacement, repair, or refund, as specified herein.

In no event shall SÓLAS be liable for any incidental or consequential damages caused by defects in the Product, whether such damage occurs or is discovered before or after repair or replacement, and whether such damage is caused by SÓLAS' negligence. SÓLAS has not made and does not make any representation or warranty of fitness for a particular use or purpose, and there is no implied condition of fitness for a particular purpose.

SÓLAS makes no expressed warranties except as stated in this Limited Warranty. The duration of any implied warranty is limited to the duration of this expressed warranty.

No one is authorized to change this Limited Warranty or to create for SÓLAS any other obligation or liability in connection with the Product. Some states and provinces do not allow the exclusion or limitation of incidental or consequential

SÓLAS, LLC

P (603) 298-5169

F (603) 298-9246

solasfires.com

RECORD YOUR PRODUCT INFORMATION

Model #: **26-E-FI** Serial Number: _____

Date Purchased: _____ Date Installed: _____

THANK YOU FOR CHOOSING

SÓLAS

solasfires.com