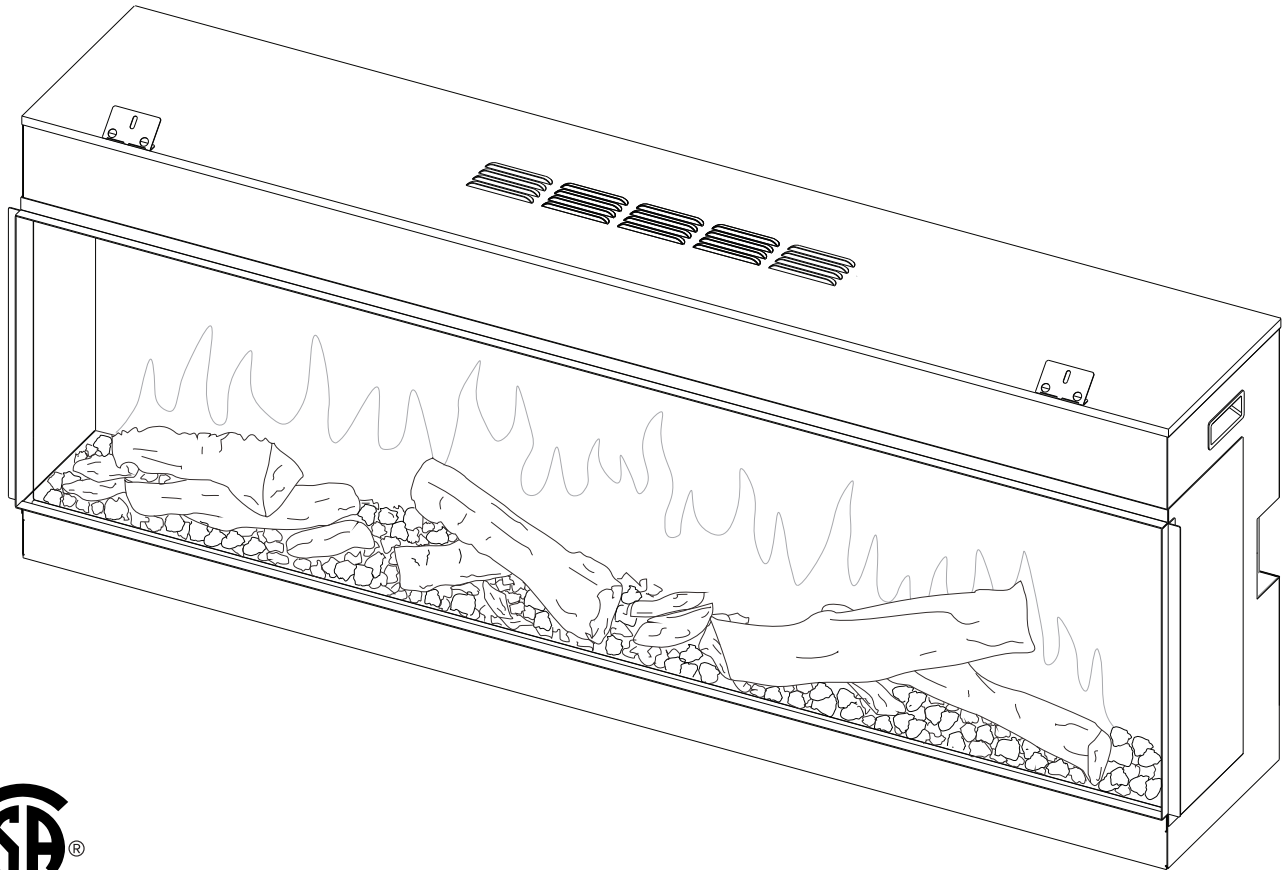


# SÓLAS

## ELECTRIC SLIM-LINE BUILT-IN FIREPLACES

### INSTALLATION & OPERATION MANUAL

MODEL: 48E-3S, 60E-3S, 72E-3S



#### **⚠ WARNING**

Read and understand this entire owner's manual, including all safety information, before connecting power or using this product. Failure to do so could result in fire, electric shock, or serious personal injury.

#### **⚠ WARNING**

Keep this owner's manual for future reference. If you sell or give this product away, make sure this manual accompanies this product.

As this item contains many parts, please read the installation instruction carefully before installation. Please use tools properly and carefully.

**INSTALLER:** Leave this manual with appliance | **CONSUMER:** Retain this manual for future reference

## INSTALLATION RECORD

# SÓLAS

The installer should complete the form below that describes the details of the installation. Having this written record of installation information available will greatly expedite troubleshooting should any problem arise with your fireplace.

Date Purchased: \_\_\_\_\_

Dealer: \_\_\_\_\_

Date Installed: \_\_\_\_\_

Installer: \_\_\_\_\_

Fireplace Model: (circle one)    **48-E-3S**    **60-E-3S**    **72-E-3S**

Serial Number: \_\_\_\_\_

Installation notes: \_\_\_\_\_

\_\_\_\_\_

\_\_\_\_\_

\_\_\_\_\_

# CONTENTS

---

Installation Record .....	2
Important Safety Information.....	4
Technical Specifications .....	6
Parts & Hardware .....	7
Dimensions .....	8
Installation Instructions .....	9
Operating Instructions .....	17
Remote Operation.....	18
Maintenance .....	21
Replacement Parts List .....	22
Warranty Information .....	23

## ***Congratulations on your purchase of a SÓLAS Electric Fireplace!***

We welcome you to the SÓLAS family of fireplaces. Each of our products are skillfully designed in the USA. We take great pride in every fireplace to ensure your safety and warmth throughout the years.

Warmly,  
The SÓLAS Team

**WE STRONGLY SUGGEST THAT YOU READ THIS MANUAL THOROUGHLY BEFORE BEGINNING THE INSTALLATION OF THIS ELECTRIC FIREPLACE. ALTHOUGH THE BASIC REQUIREMENTS FOR THE INSTALLATION OF ELECTRIC FIREPLACES ARE SIMILAR, EACH SPECIFIC PRODUCT HAS ITS OWN UNIQUE SET-UP AND INSTALLATION REQUIREMENTS THAT MUST BE FOLLOWED EXACTLY. PLAN YOUR INSTALLATION IN ADVANCE BY CAREFULLY REVIEWING ALL THE INFORMATION CONTAINED IN THIS MANUAL.**

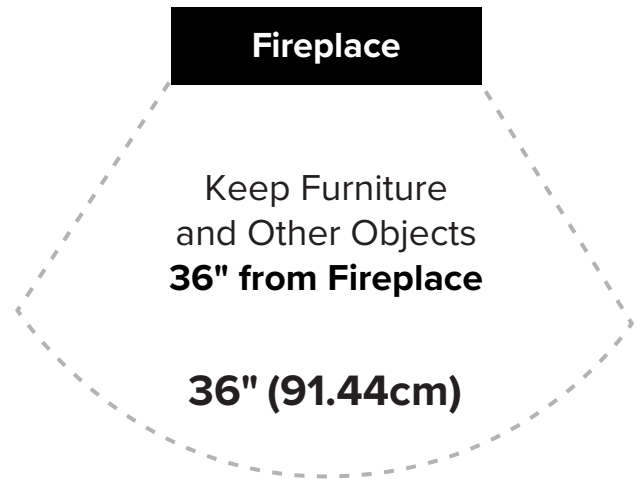
The information contained in this manual is believed to be correct at the time of printing. SÓLAS LLC. reserves the right to change or modify any information or specifications without notice. SÓLAS LLC grants no warranty, implied or stated, for the installation or maintenance of your appliance, and assumes no responsibility for any consequential damage(s).


© 2024 Copyright SÓLAS LLC.

## IMPORTANT SAFETY INFORMATION

When using electrical appliances, basic precautions should always be followed to reduce the risk of fire, electric shock, and injury to persons, including the following:

- Read all instructions before installing or using this appliance.
- **THIS APPLIANCE IS HOT WHEN IN USE. To avoid burns, do not let bare skin touch hot surfaces.** Keep combustible materials, such as furniture, pillows, bedding, papers, clothes, etc. and curtains at least 36" (0.9 m) from the front of the appliance and keep them away from the sides and rear.
- Extreme caution is necessary when any appliance is used by or near children or invalids and whenever the appliance is left operating and unattended.
- **Do not operate this appliance if you suspect it has malfunctioned.** Disconnect power at service panel and have appliance inspected by a reputable electrician before reusing.
- **Do not use outdoors.**
- To disconnect heater, turn controls to off, and turn off power to appliance circuit at main disconnect panel (or operate internal disconnect switch if provided).
- **DO NOT run power cord under carpeting. DO NOT cover power cord with throw rugs, runners, or similar coverings. DO NOT route power cord under furniture or appliances. Arrange power cord away from traffic area, and where it will not be tripped over.**
- **DO NOT insert or allow foreign objects to enter any ventilation or exhaust opening, as this may cause electric shock or fire, or damage the heater.**
- To prevent a possible fire, **do not block air intakes or exhaust in any manner.**
- This appliance has hot, arcing, or sparking parts inside. **Do not use it in areas where gasoline, paint, or flammable vapors or liquids are used or stored.**
- Use this appliance only as described in this manual. Any other use not recommended by the manufacturer may cause fire, electric shock, or injury to persons.



- **WARNING: DO NOT COVER**  **symbol on louver of fireplace**
- This appliance **MUST** be grounded.
- **ONLY INSTALL POWER AS SPECIFIED ON RATING LABEL.** Do not install any device designed to regulate or modulate power.
- **NEVER** use this appliance in bathrooms, laundry rooms, or any other location where the appliance could fall into a bathtub or pool, become damp, or come in contact with water.
- **AVOID FIRE!** Regularly inspect all air vents to make sure they are free from dust, lint, or other blockage. Disconnect power at the electrical panel or unplug the unit and clean with a vacuum **ONLY. DO NOT** rinse or get wet.
- **NEVER** hang this unit on a wall directly below an electrical outlet.
- **WARNING: DO NOT DEPEND ON THE ON/OFF SWITCH THE SOLE MEANS OF DISCONNECTING POWER WHEN SERVICING OR MOVING THE HEATER AND ALWAYS SHUT OFF POWER AT THE ELECTRICAL PANEL.**
- **WARNING: REDUCE THE RISK OF FIRE OR ELECTRIC SHOCK—DO NOT USE THIS APPLIANCE WITH ANY SOLID STATE SPEED CONTROL DEVICES OR DIMMER.**

## IMPORTANT SAFETY INFORMATION

- This product is not intended to be a primary heat source. It is for supplemental heat only.
- Risk of electric shock! **DO NOT OPEN!** No user-serviceable parts inside!
- **NEVER** modify this heater. Doing so could result in personal injury or property damage. Modification of this fireplace completely voids all warranties.
- **ALWAYS** turn this appliance off before before shutting off power at the electrical panel or unplugging it from the outlet.
- **ONLY** use this appliance on a 120V AC 15-Amp or 240V AC 15-Amp circuit. **NEVER** overload the circuit. If this appliance trips the circuit breaker, unplug all other appliances on the same circuit before the next use. Avoid plugging other appliances into the same circuit as this heater.
- **SAVE THESE INSTRUCTIONS**

This device complies with part 15 of the FCC Rules. Operation is subject to the following two conditions:

1. This device may not cause harmful interference, *and*
2. This device must accept any interference received, including interference that may cause undesired operation.

### FCC Warning:

Any changes or modifications not expressly approved by the party responsible for compliance could void the user's authority to operate the equipment.

**Note:** This equipment has been tested and found to comply with the limits for a Class B digital device, pursuant to part 15 of the FCC Rules. These limits are designed to provide reasonable protection against harmful interference in a residential installation. This equipment generates uses and can radiate radio frequency energy and, if not installed and used in accordance with the instructions, may cause harmful interference to

radio communications. However, there is no guarantee that interference will not occur in a particular installation. If this equipment does cause harmful interference to radio or television reception, which can be determined by turning the equipment off and on, the user is encouraged to try to correct the interference by one or more of the following measures:

- Reorient or relocate the receiving antenna.
- Increase the separation between the equipment and receiver.
- Connect the equipment into an outlet on a circuit different from that to which the receiver is connected.
- Consult the dealer or an experienced radio/TV technician for help.

This equipment complies with IC RSS-102 RF exposure limits set forth for an uncontrolled environment. This equipment should be installed and operated with minimum distance 20cm between the radiator & your body.

### IC Warning

This device complies with Industry Canada licence-exempt RSS standard(s).

Operation is subject to the following two conditions:

1. This device may not cause interference, and
2. This device must accept any interference, including interference that may cause undesired operation of the device.

This equipment complies with IC RSS-102 RF exposure limits set forth for an uncontrolled environment. This equipment should be installed and operated with minimum distance 20cm between the radiator & your body.

# TECHNICAL SPECIFICATIONS

## Technical Specifications

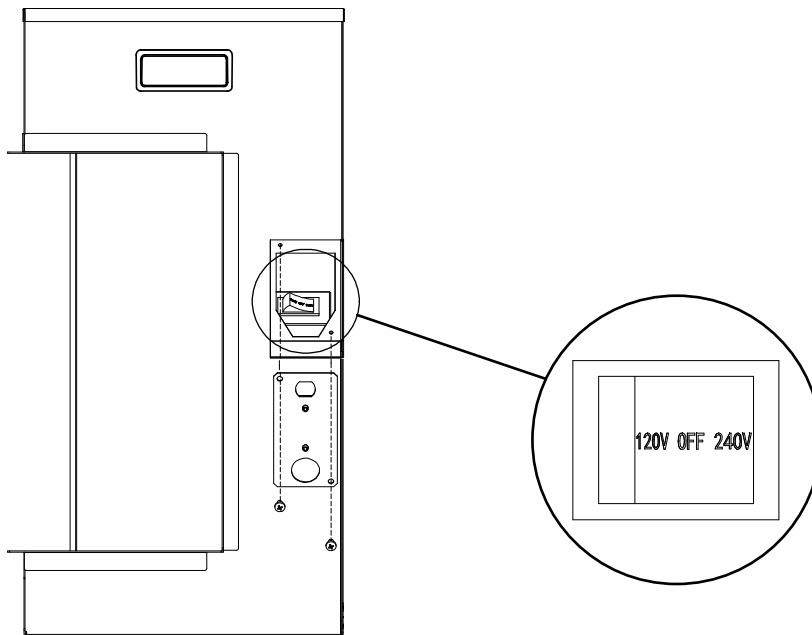
Models: 48E-3S, 60E-3S, 72E-3S

SUPPLY VOLTAGE	AC 120V, 60HZ	AC 240V, 60HZ
Maximum Power Consumption	1400 W	2800 W

## Power for Flame, Fuel/Ember Bed and Down Light Effect:

48E-3S	60E-3S	72E-3S
41 W	47.5 W	53 W

These appliances can operate either on 120V or 240V. To change voltage from 120V to 240V, access switch on the rear, right corner of the appliance



## Rating Plate

The rating plate is located inside the appliance, under the ember bed, on the right side.

**ELECTRIC FIREPLACE**

MODEL(HVIN): 72E-3S  
 VOLTAGE: 120 V/240 V AC  
 FREQUENCY: 60 Hz  
 WATTS: 1400 W/2800 W  
 SERIAL No.: \_\_\_\_\_


 C 602971 US

FCC ID: 2A21Z-LEX2-S  
 IC: 27451-LEX2S  
 CAN ICES-3(B)/NBM-3(B)

Designed by SÓLAS Contemporary Fires  
 Progressive Manufacturing, Inc.  
 Made in China

**ELECTRIC FIREPLACE**

MODEL(HVIN): 60E-3S  
 VOLTAGE: 120 V/240 V AC  
 FREQUENCY: 60 Hz  
 WATTS: 1400 W/2800 W  
 SERIAL No.: \_\_\_\_\_

 C 602971 US

FCC ID: 2A21Z-LEX3-S  
 IC: 27451-LEX3S  
 CAN ICES-3(B)/NBM-3(B)

Designed by SÓLAS Contemporary Fires  
 Progressive Manufacturing, Inc.  
 Made in China

**ELECTRIC FIREPLACE**

MODEL(HVIN): 48E-3S  
 VOLTAGE: 120 V/240 V AC  
 FREQUENCY: 60 Hz  
 WATTS: 1400 W/2800 W  
 SERIAL No.: \_\_\_\_\_

 C 602971 US

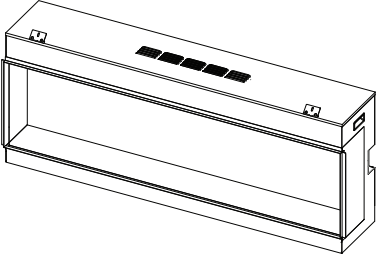
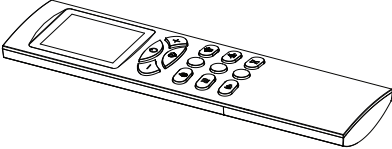
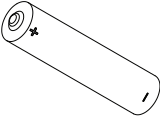

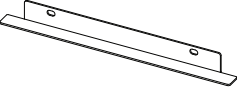
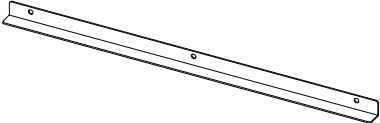
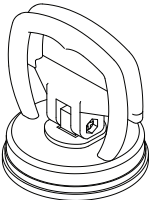

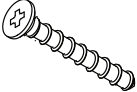
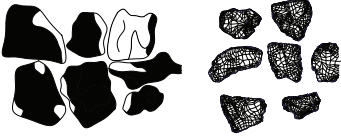

FCC ID: 2A21Z-LEX4-S  
 IC: 27451-LEX4S  
 CAN ICES-3(B)/NBM-3(B)

Designed by SÓLAS Contemporary Fires  
 Progressive Manufacturing, Inc.  
 Made in China

# PARTS & HARDWARE

## Parts and Hardware

1. Unpack the fireplace carefully and make sure that the appliance is intact with no signs of damage caused by transport and no part has been exposed to water. If in doubt, do not use the appliance and contact your retailer.
2. Keep plastic wrapping away from children.
3. Save the original packaging as this may be required in the event of service complaint with product.
4. Check that all parts are removed from the packing.

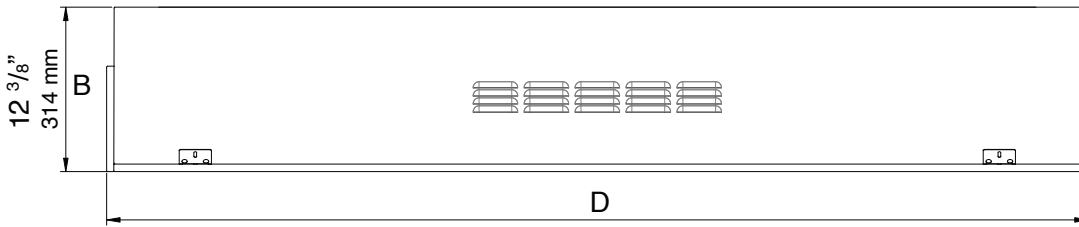
 <p><b>Fireplace (1)</b></p>	 <p><b>Remote Control (1)</b></p>	 <p><b>AAA Battery (2)</b></p>
 <p><b>Log(1 SET)</b></p>	 <p><b>Top &amp; Bottom Edging Strip (4)</b></p>	 <p><b>Back Edging Strip (2)</b></p>
 <p><b>Suction Cup Lifter (2)</b></p>	 <p><b>Magnet (1)</b></p>	 <p><b>ST4*40 Screw (4)</b></p>
 <p><b>Small &amp; Flat Media (1 SET)</b></p>	 <p><b>Manual (1)</b></p>	

# DIMENSIONS

## Appliance Dimensions

Models: 48E-3S, 60E-3S, 72E-3S

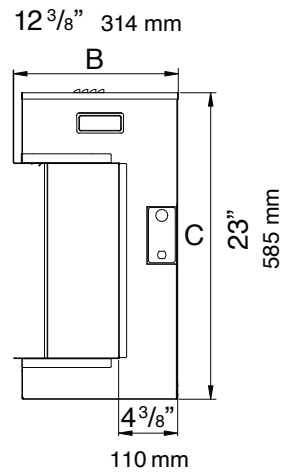
### Top View



### Front View



### Side View



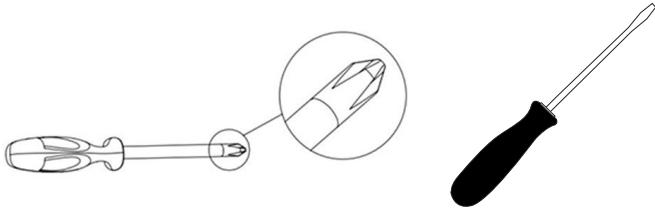
MODEL	A	B	C	D
<b>48E-3S</b>	48 1/32" (1220mm)	12 9/16" (320mm)	23" (585mm)	49 3/32" (1247mm)
<b>60E-3S</b>	60" (1524mm)	12 9/16" (320mm)	23" (585mm)	61 1/16" (1551mm)
<b>72E-3S</b>	72 1/16" (1830mm)	12 9/16" (320mm)	23" (585mm)	73 1/8" (1857mm)



# INSTALLATION INSTRUCTIONS

## Installation Instructions

Required Tool; Phillips Head Screwdriver



## Appliance Location

Your new electric fireplace may be installed virtually anywhere in your home. However, when choosing a location, ensure that the general instructions are followed:

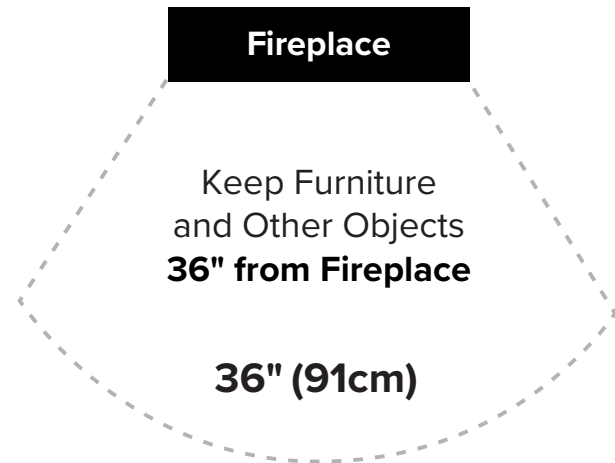
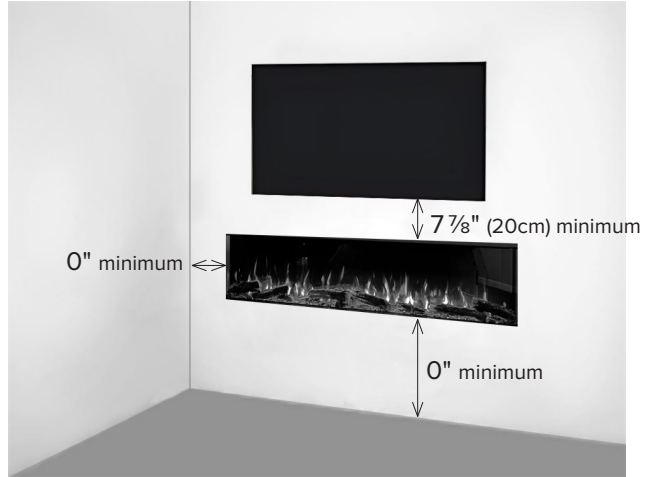
- For best result, install out of direct sunlight, water or very damp air.
- The appliance should be connected to an grounded electrical outlet and it must be easily accessible to allow disconnection.

The following is only given as a general guide because it can be installed in different ways.

Provided you ensure electric connections are safely made in accordance with the codes, various materials can be used for the framework and cladding. Ensure the framing and wall finish are self-supporting and do not rely on the appliance to support framing or wall finish. Consideration should be made to soften the internal surface of any cladding to minimize that amplification of noise.

## Minimum Clearance to Combustible

<b>Sides</b>	0"
<b>Floor</b>	0"
<b>Back</b>	0"
<b>Top (Mantel / Electronics)</b>	7 7/8" (20cm) minimum
<b>Front</b>	36" (91cm) minimum



# INSTALLATION INSTRUCTIONS

## Prepare the Electrical Supply

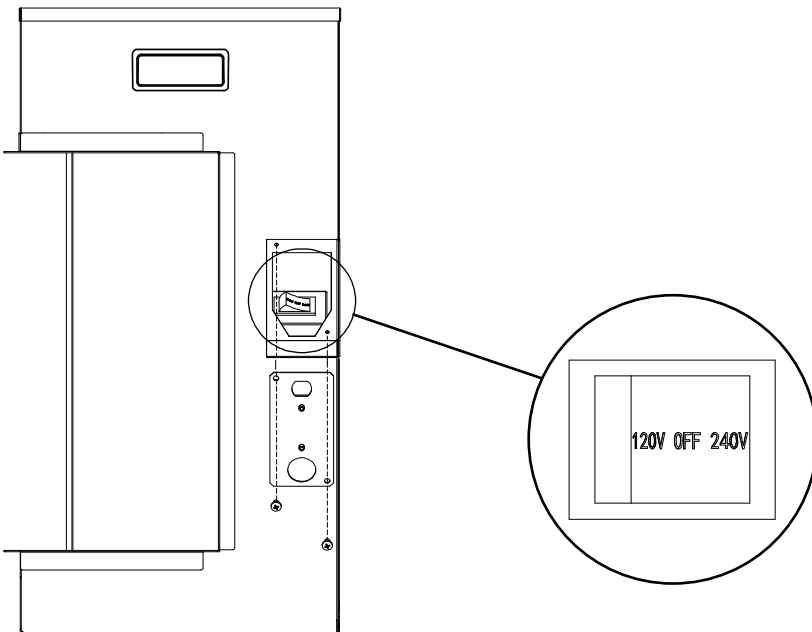
Plan the location of the appliance so that it will have adequate electric power. This appliance can operate on 120V 60Hz, 15amp or 240V 60Hz, 15amp circuit. To change voltage from 120V to 240V, press the voltage selecting switch behind the wire entry panel.

Insure installation will comply with all local building codes.

**WARNING!** All electrical installation must be performed by a qualified electrician and must be electrically wired and grounded in accordance with local codes, if hard wired. Please contact SÓLAS if you need the compatible power cord for installation.

## Voltage Selecting Switch

Press “120V” or “240V” to select voltage, located behind the wire entry panel on the right side of the appliance.



# INSTALLATION INSTRUCTIONS

## Installing the Appliance

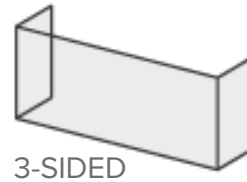
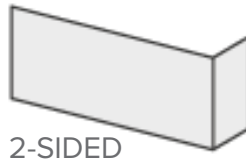
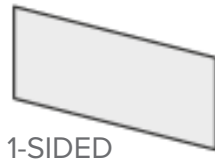
This appliance must be installed by an authorized person. The installation must conform to local regulations and must also comply with the instruction supplied by SÓLAS. Service and removal must be carried out an authorized person.

The appliance can be installed in 3 different Configurations

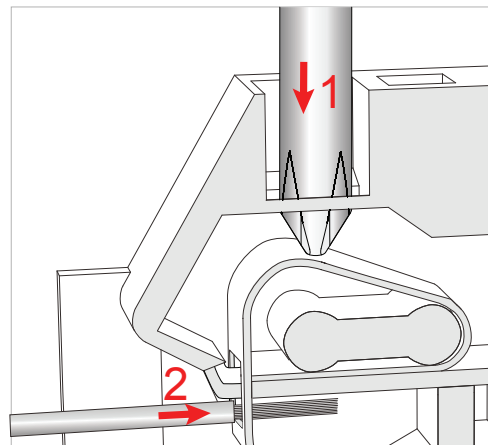
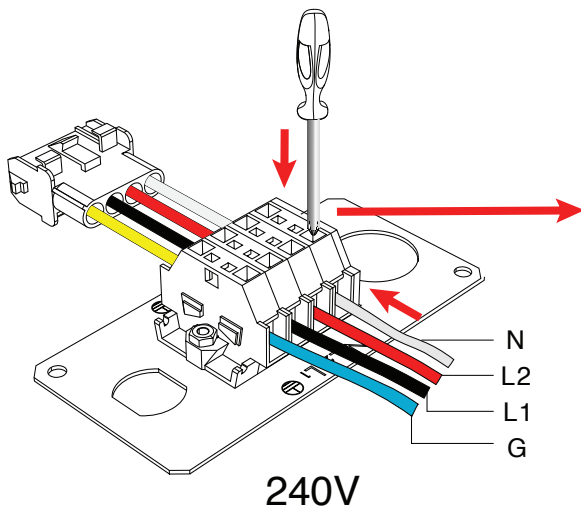
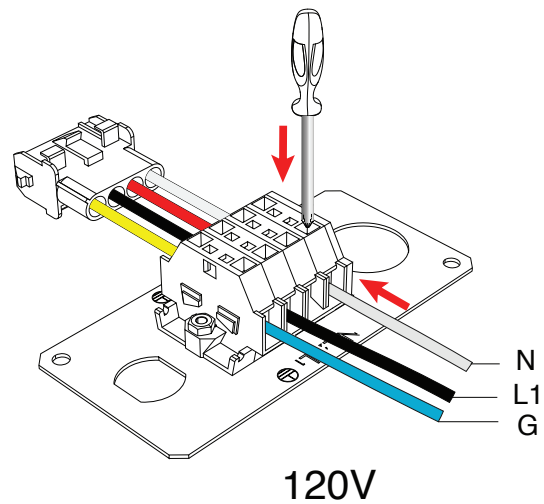
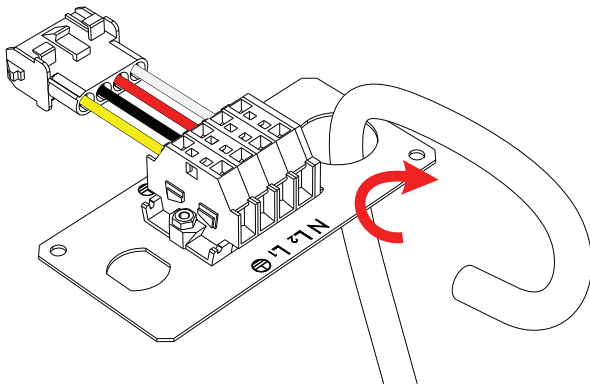
**1-Sided Front** (1 Glass Panel)

**2-Sided Corner** (2 Glass Panels)

**3-Sided** (3 Glass Panels)



## Hardwiring the Appliance

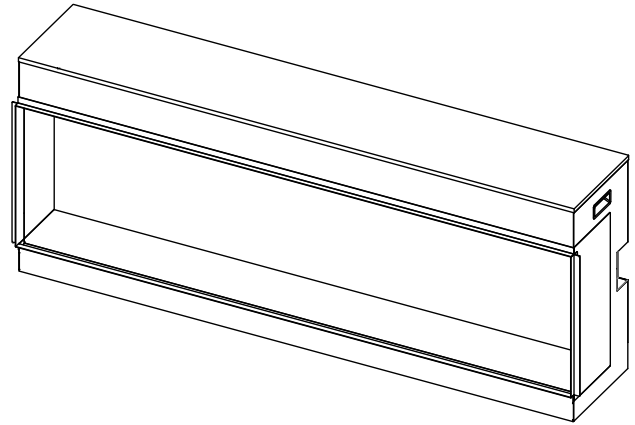


**NOTE:** A strain relief is required where the incoming wires pass through the metal plate.

# INSTALLATION INSTRUCTIONS

## 1-Sided Installation Front View (only the front glass is visible)

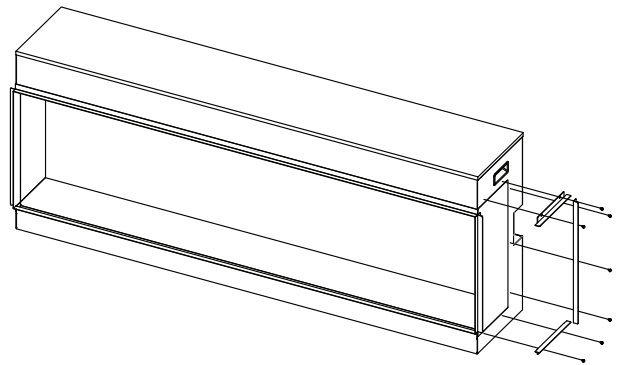
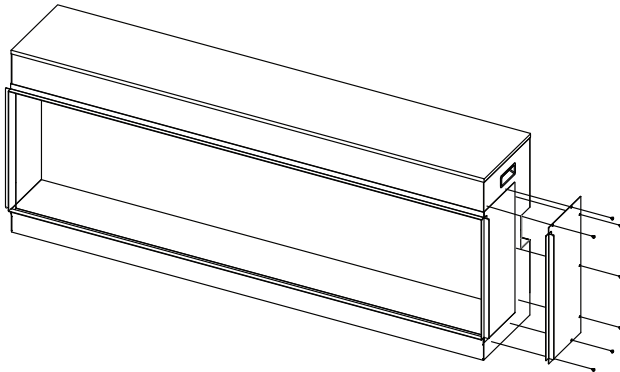
Your appliance will arrive in a single-sided (front only) aspect with metal side panels already fitted.



## 2-Sided Installation Corner View (front and one of the side glass visible)

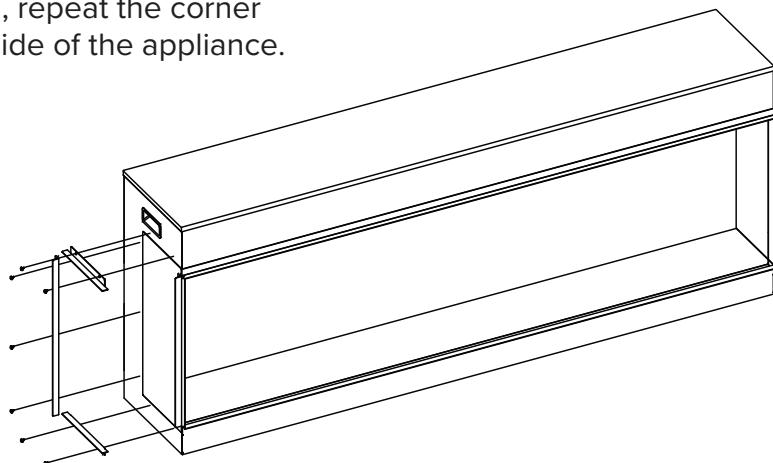
For a two-sided corner installation, choose which side you want to feature a glass panel and remove the 7 screws that secure the metal side panel to the appliance. Carefully remove the panel and keep the screws in a safe place.

Using the removed screws, install 2 top/bottom edging strips and 1 back edging strip on the appliance.



## 3-Sided Installation (front and both side glass visible)

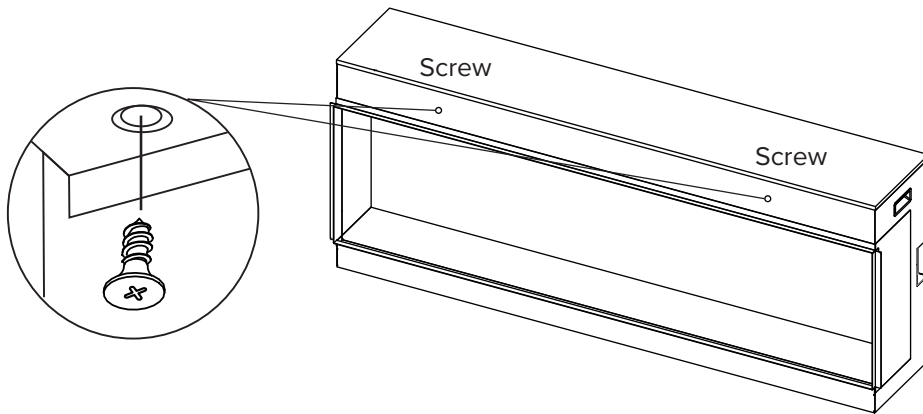
For a three-sided installation, repeat the corner procedure on the opposite side of the appliance.



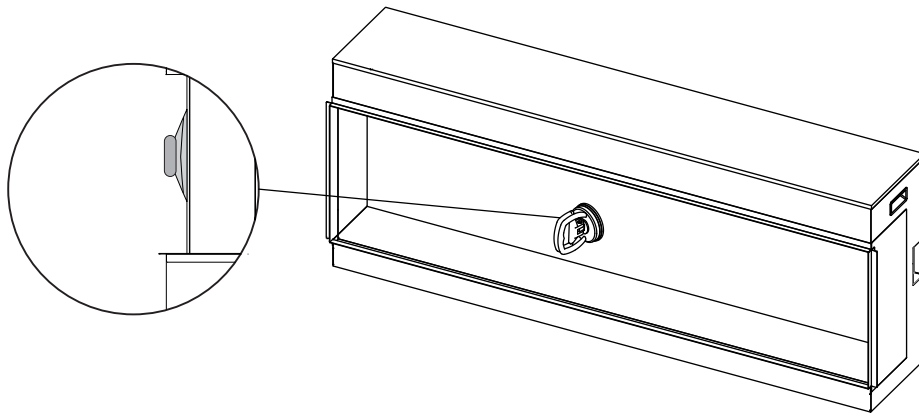
# INSTALLATION INSTRUCTIONS

## Removing the Front Glass Panel

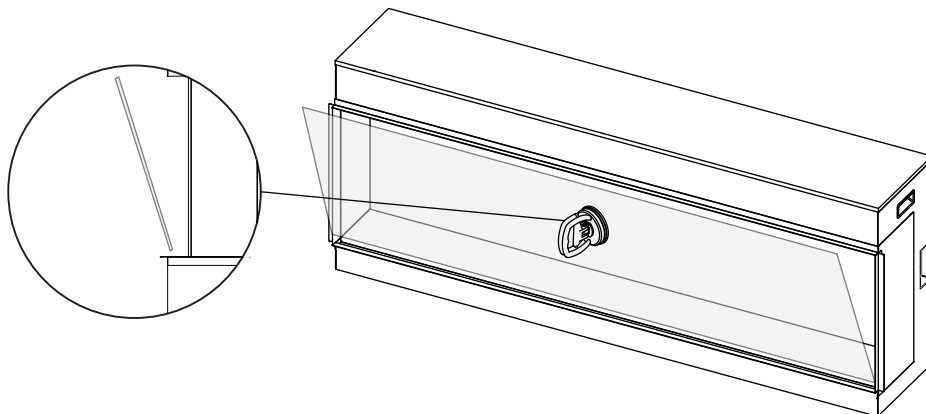
1. Remove the 2 countersunk screws and remove the glass retaining strip as shown.



2. Use the suction cup lifter (s) provided to support the middle of the glass panel and lock suction cup lifter.



3. Lift the panel upward and pull it forward at its upper edge. Carefully lift the glass away as shown.

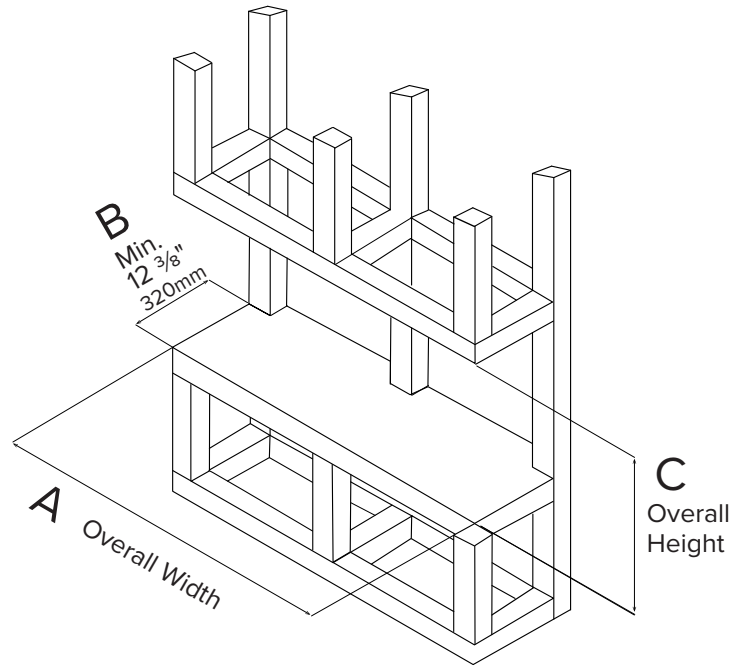


# INSTALLATION INSTRUCTIONS

## Flush Mount Installation

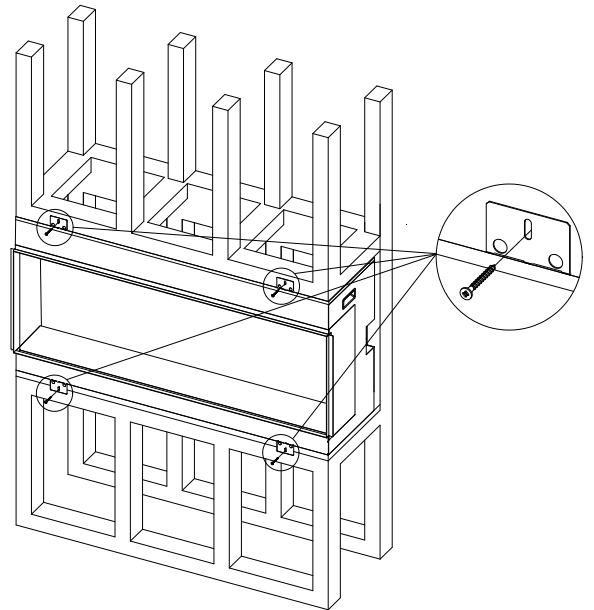
Prepare the framing using the image below as a general guide.

**NOTE: Ensure a firm flat positioning of the appliance and secure fixing to avoid vibration and movement of the appliance after applying wall finish.**



Push the appliance into the framing and bend out the 4 brackets on the upper and lower edges of the appliance; secure it to the framing with screws provided.

Install 4 ST4\*40 screws on the mounting brackets on the appliance.



MODEL	A	B	C
<b>48E-3S</b>	48 1/32" (1220mm)	12 9/16" (320mm)	23" (585mm)
<b>60E-3S</b>	60" (1524mm)	12 9/16" (320mm)	23" (585mm)
<b>72E-3S</b>	72 1/16" (1830mm)	12 9/16" (320mm)	23" (585mm)

# INSTALLATION INSTRUCTIONS

## Logs and Ember/Fuel Bed Installation

Every log has a number on it for identification. Place the logs on the ember/fuel bed according to the template printed on the ember/fuel bed panel.



	AK-1	AK-3	AK-4	AK-5	AK-6
Log					
	AK-7	AK-8	bark	AA-1	AA-6
Log					

## Ember/Fuel Bed

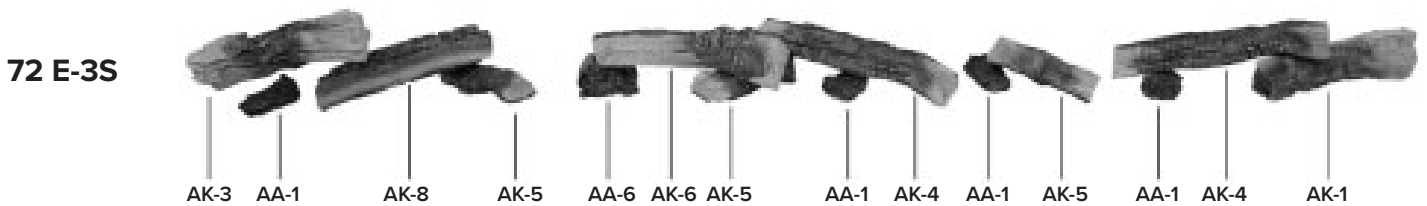
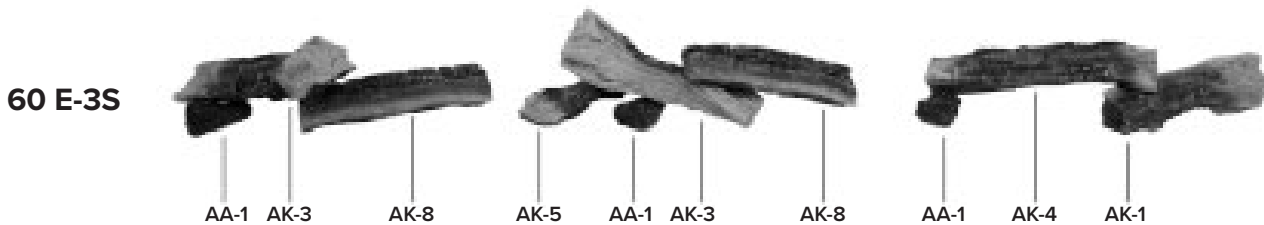
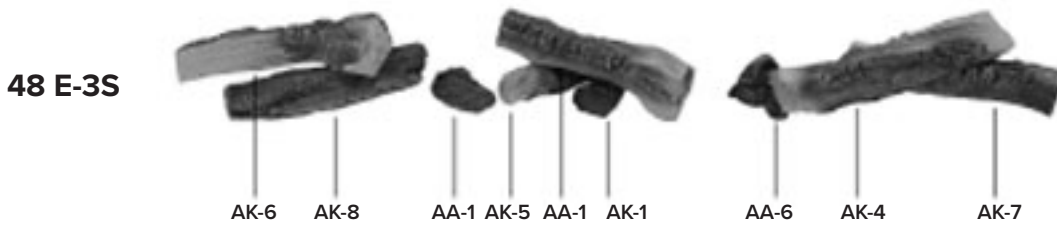
Once the appliance is in its final place, install the ember/fuel bed. It helps to turn the fireplace's lights on when placing the logs, this helps place them in correct position by following the guide printed on the ember/fuel bed. See the appliance's control panel, or use the remote control to turn on the appliance.

## Log Sets

Unpack the logs carefully, then place them according to the instructions provided on the following page.

# INSTALLATION INSTRUCTIONS

## Log Configurations



1. Identify and layout the logs for your fireplace model.
2. Scatter small and flat media around all the logs, ensuring that all visible areas of the fuel bed, including underneath and behind the logs, are covered.
3. Place the bark pieces to fill the gaps among the logs for a better effect.

### Reinstall the Glass

In reverse order, reinstall the glass on the fireplace, being very careful when handling it—see page 14 for reference.

1. Slide the glass pane behind the top black strip then push the top in place.
2. Reinstall the glass retaining strip securing it with two screws.



# OPERATING INSTRUCTIONS

## BEFORE OPERATION

**WARNING!** Do not operate the appliance if it is damaged or has malfunctioned. If you suspect the appliance is damaged or has malfunctioned, call a qualified service technician to inspect the appliance, and replace any part of the electrical system if necessary before re-use.

**WARNING!** To reduce the risk of fire, keep textiles, curtains, or any other flammable material a minimum distance of 36" (1m) from the air outlet.

## Operating Instructions

### 1. BE SURE the plug fits tight in the outlet.

Faulty wall outlet connections or loose plugs can cause the outlet to overheat.

**NOTE:** Most jurisdictions require an outlet be accessible and therefore do not permit these built in products to receive power via an enclosed wall outlet and must be hardwired by a licensed electrician.

**Do not** disconnect the power at the electrical panel while the appliance is running. Use the functions on the remote to turn the fire off and ensure the mains switch has been moved to the off position before disconnecting.

The appliance can be operated conveniently in 3 different ways:

- Manual Control Panel, on the appliance
- Remote Control Handset, or
- Smartphone/Tablet with iOS/Android App

## 2. Manual Control Panel

### MAIN SWITCH

Press "I" to turn on the appliance, and press "O" to turn off the appliance. Memorized information will be lost if the appliance is turned off by main switch.

### STAND-BY

Press "STAND-BY" to turn on memorized crackling, flame, down light and fuel bed effect, or turn off all functions at the same time after power is on. To return to the previous flame, down light, and fuel bed effect, as when the unit was last operating, or to turn off all functions at the same time if the unit is currently operating, press the "STAND-BY" button.

### FLAME

Press "FLAME" to cycle through 9 flame effects and off setting.

Long press "FLAME" after power is on to enter or cancel the mute mode of the button sound. A short beep sound will be heard every time you press a button if the mute mode is canceled.

### HEATER

Press "HEATER" to cycle through heat LOW/HIGH/OFF.

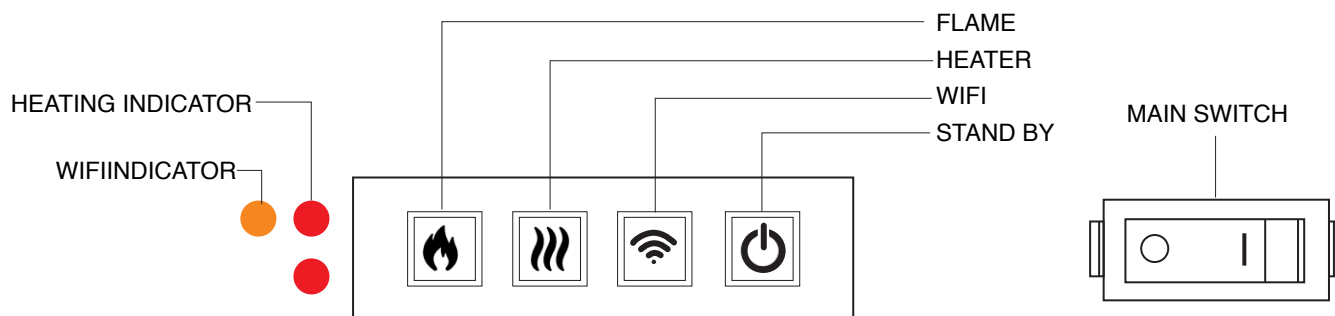
When the heater is on, if flame, fuel bed, and down light are working, the heater indicator will be off after 10 seconds, and if flame, fuel bed and down light are all off at the same time, the heater indicator will keep on.

### WiFi

Long press "HEATER" for 3 seconds after power is on, if two long beeps are heard, the WiFi signal is in good condition, otherwise there is weak or no WiFi signal.

Press "WIFI" to enter or cancel WIFI mode. When the WIFI indicator turns orange, the WIFI mode is on, if the WIFI indicator is off, the WIFI mode is off, and if the WIFI indicator flashes, the WIFI function is connecting.

## Appliance Control Panel



## 3. Remote Control Handset

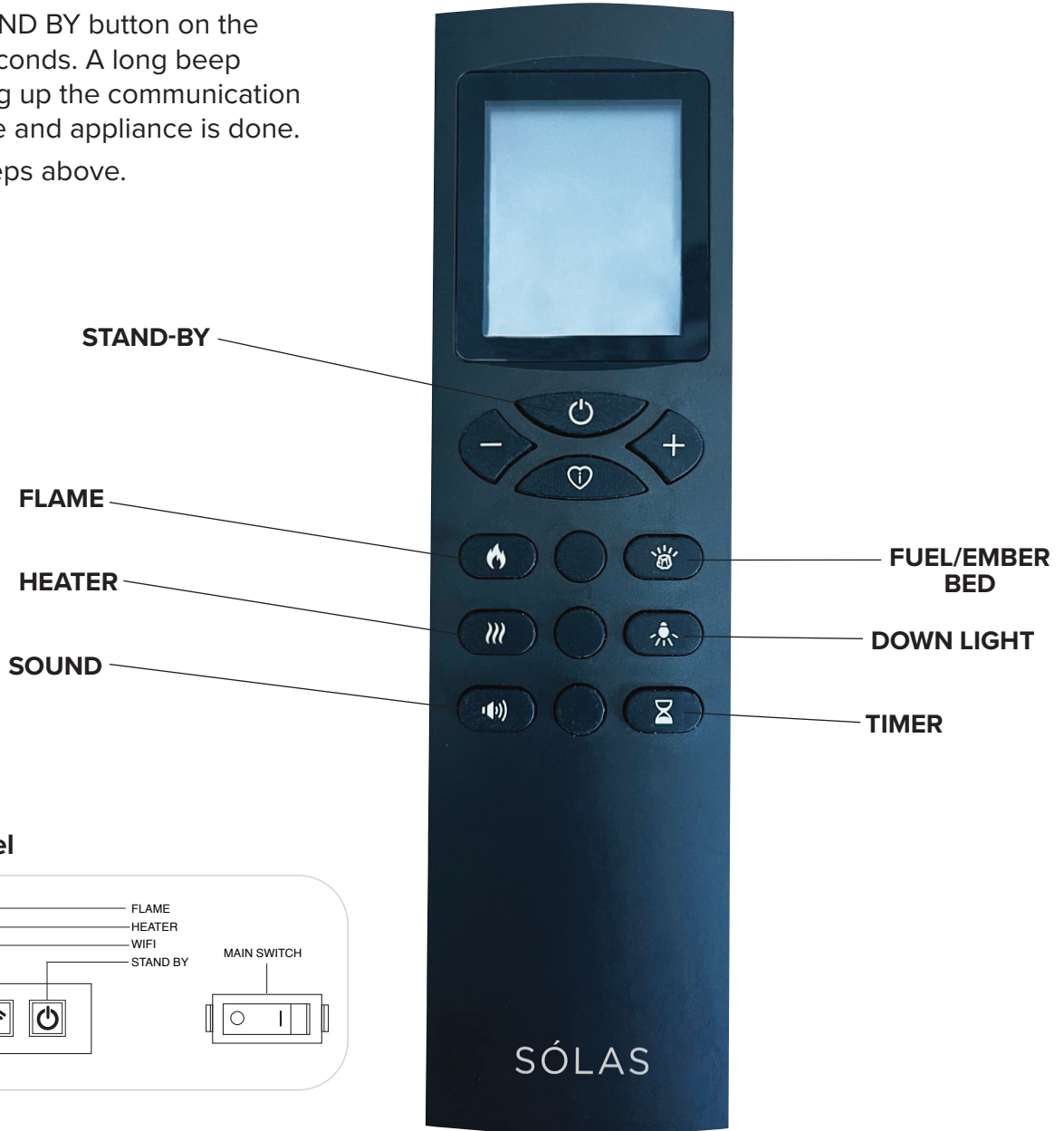
### SET UP THE COMMUNICATION BETWEEN THE REMOTE AND THE FIREPLACE

Below operations should be carried out before programming, when changing to a new remote or in the event the fireplace cannot be controlled by the remote:

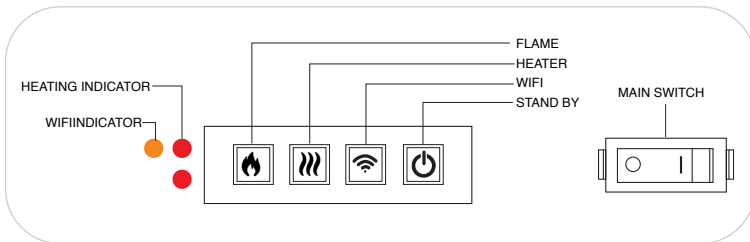
- Press the STAND BY button on the control panel for 3 seconds after power is on until you hear two long beeps.
- Then press the STAND BY button on the remote within 10 seconds. A long beep indicates that setting up the communication between the remote and appliance is done.
- If not, repeat the steps above.

# SÓLAS

## ELECTRIC REMOTE MAIN DISPLAY OVERVIEW











### Appliance Control Panel



# OPERATING INSTRUCTIONS

## Remote Control Functions

BUTTON	FUNCTION	ACTION
	<b>Stand-By Button.</b> To turn on the flame, down light and fuel bed, or turn off all functions at the same time.	After power is on, press to turn on sound, flame, down light and fuel bed, or turn off all functions at the same time.
	<b>Flame Button.</b> Cycle through 9 flame effects and flame off setting.	Press to cycle through 9 different flame effects and off setting. After pressing " <b>FLAME</b> ", press "+" or "-" to adjust the flame brightness.
	<b>Ember/Fuel Button.</b> Cycle through 9 different ember/fuel bed effects and off setting.	Press to cycle through 9 ember/fuel bed effects and off setting, the remote screen will display Fb.1, Fb.2,...Fb.9, Fb.0 accordingly. After pressing " <b>EMBER/FUEL BED</b> ", press "+" or "-" to adjust the fuel bed brightness.
	<b>Heat Button.</b> To cycle through heating LOW/HIGH/OFF, and also switch between °F and °C.	Press to cycle through heating LOW/HIGH/OFF. While operated by the remote, the heater will work when the setting temperature is higher than the room temperature. Long press 3 seconds to switch between °F and °C.
	<b>Sound Button.</b> To turn the crackling sound on or off.	Press " <b>SOUND</b> " button to turn crackling sound on or off. When the flame is on, after pressing " <b>SOUND</b> ", press "+" or "-" to adjust the sound volume.
	<b>Down Light Button.</b> To cycle through 9 down light effects and off setting.	Press to cycle through 9 down light effects and off setting, and the remote screen will display dL.1, dL.2,...dL.9,dL.0 accordingly. After pressing " <b>DOWN LIGHT</b> ", press "+" or "-" to adjust the brightness of down light.
	<b>Timer Button.</b> To set the timer from 0.5H to 9.0H.	When the timer function is off, press to set the " <b>TIMER</b> " from 0.5H, 1.0H, 2.0H, 3.0H, 4.0H, 5.0H, 6.0H, 7.0H, 8.0H, 9.0H, OFF. When the timer function is on, press once to check the remaining time, press again to check the next level of the timer, press "+" or "-" to set the timer.
	<b>Favorite Button.</b> To set your favorite SÓLAS electric fireplace effect.	Long press 3 seconds to memorize the current flame, down light, fuel bed, and crackling effect. Short press to enter or cancel the memorize state.
+ -	<b>Up/Down Button(s).</b> To set the brightness of flame, down light or fuel bed or adjust the volume of crackling sound.	Different levels of brightness of flame, down light and fuel bed, or volume of crackling sound can be set when corresponding icon shows on the remote screen.

**NOTE: The remote control handset must be left in the same room, (within 25 feet of appliance for proper operation) as it because it houses the thermostat that regulates heat output. Also, when using the APP, the remote must also be in the same room and have batteries fitted and working to ensure accurate temperature control.**

- To remove the batteries, open the back cover of the remote control handset and replace with new ones. Pay attention to the positive and negative polarity.
- Two AAA alkaline batteries are required for the remote control.
- Exhausted batteries are to be removed from the appliance and safely disposed of.
- These non-rechargeable batteries are not to be recharged.
- Different types of batteries or new and used batteries are not to be mixed.
- Batteries are to be inserted with the correct polarity.
- If the appliance is to be stored unused for a long period, the batteries should be removed.
- The supply terminals are not to be short-circuited.

## 4. WiFi Connection

### Smartphone/Tablet with iOS/Android App

Visit your device APP store (iOS or Android) to download the **TUYA SMART APP** Once installed follow the procedure below to pair the device with your appliance:

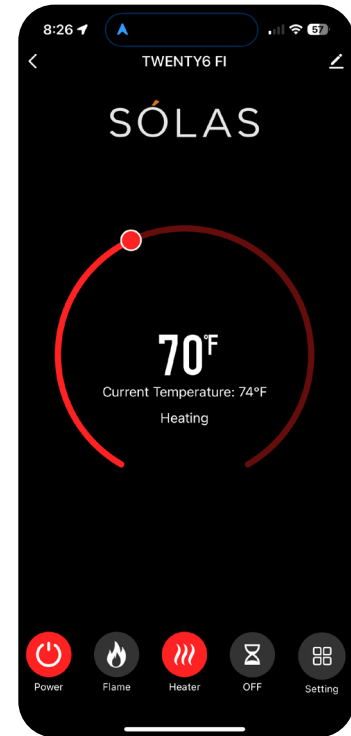
1. Start the APP and click “Add Device” on screen. Select “Small Home Appliance” from the list, then select “Heater (Wi-Fi)”.
2. Ensure the appliance is powered on then press and hold the WiFi button on the appliance until you hear 3 beeps. At the same time the button and the fuel bed will flash.
3. Follow the instructions on the app to input your home network details. Note, your device must also be connected to the same home network you wish to connect the appliance to.

Once connected you can fully control your appliance.

### RESETTING THE THERMAL CUT OUT

The appliance is fitted with an Electronic Safety Control (E.S.). This is a safety device which off the heater and blower if, for any reason, the appliance overheats, e.g. when covered. If the heater stops operating while the flame effect continues working normally, this indicates that the E.S. Control is in operation. The E.S. control can only be reset after the appliance has cooled down, and the appliance has been reset. Resetting of the E.S. Control procedures are as follows:

1. Press button **STAND-BY** on fire to turn off the appliance and leave it off for approximately 10-15 minutes.
2. Remove any obstruction to the fan heater outlet or fan blades etc. Make sure that the power supply is disconnected with the plug socket outlet while doing this.
3. Turn on the appliance and the E.S. Control will be reset.
4. Ensure that the appliance is functioning correctly. If the E.S. Control operates again, the appliance should be checked by a competent electrician.



TUYA SMART APP

### MAINTENANCE

**WARNING! Risk of electric shock! DO NOT OPEN!**  
**No user-serviceable parts inside!**

#### Electrical and Moving Parts:

- The fan motors are lubricated at the factory and will not require lubrication.
- Electrical components are integrated in the fireplace and are not serviceable by the consumer.

**Before any maintenance or cleaning of the exterior of the fireplace, the unit should be disconnected from the power supply AND cooled off.**

**ALWAYS turn the heater OFF and unplug the power cord from the outlet before cleaning, performing maintenance, or moving this fireplace. Failure to do so could result in electric shock, fire, or personal injury.**

### CLEANING

#### Metal:

- Buff using a soft cloth, slightly dampened with a citrus oil-based product.
- DO NOT use brass polish or household cleaners as these products will damage the metal trim.

#### Glass:

- Use a good quality glass cleaner and dry thoroughly with a paper towel or lint-free cloth.
- NEVER use abrasive cleansers, liquid sprays, or any cleaner that could scratch the surface.

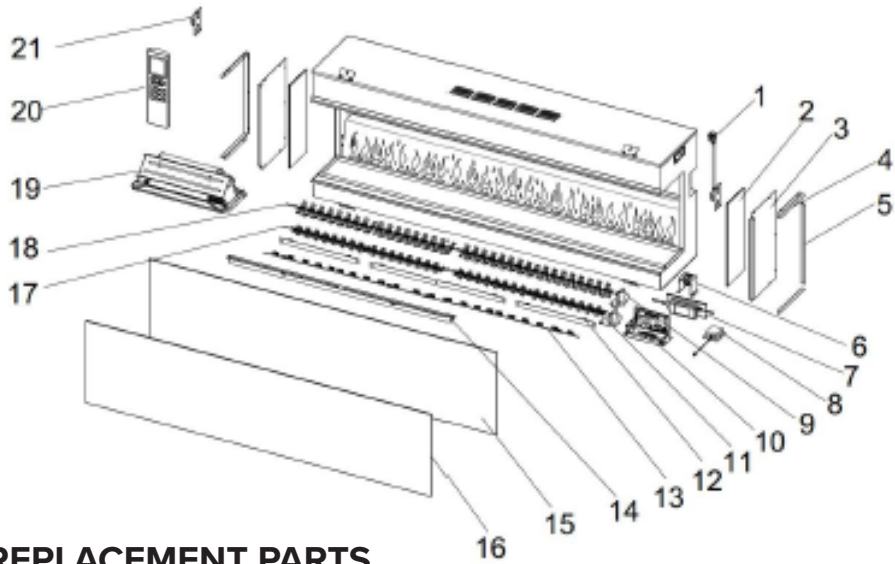
#### Plastic:

- Wipe gently with a slightly damp cloth and a mild solution of dish soap and warm water.
- NEVER use abrasive cleansers, liquid sprays, or any cleaner that could scratch the surface.

#### Vents:

- Use a vacuum or duster to remove dust and dirt from the heater and vent areas.
- Clean the exterior of the fireplace with a slightly damp cloth or duster.

## REPLACEMENT PARTS LIST



### REPLACEMENT PARTS

#	DESCRIPTION	SÓLAS PART NUMBER
1	Power Cord	E50124R
2	Side Glass Panel	E50224R
3	Side Metal Panel	E50324R
4	Top & Bottom Edging Strip 1	E50424R
5	Back Edging Strip 2	E50524R
6	Voltage Selecting Switch	E50624R
7	Switching Mode Power Supply	E50724R
8	Speaker	E50824R
9	Flame Motor	E50924R
10	Control Box	E51024R
11	Fuel/Ember Bed Motor	E51124R
12	Fuel/Ember Bed LED Board	E512 * * 24R
13	Flame LED Board	E513 * * 24R
14	Down Light	E514 * * 24R
15	Flame Screen	E515 * * 24R
16	Front Glass Panel	E516 * * 24R
17	Fuel/Ember Bed Spindle	E517 * * 24R
18	Flame Spindle	E518 * * 24R
19	Heating Element	E51924R
20	Remote Control	E52024R
21	Wire Entry Panel	E52124R
22	Log Set	E522 * * 24R
23	Small & Flat Media	E523 * * 24R
24	Magnet	E52424R
25	Suction Cup Lifter	E52524R

### REPLACEMENT PARTS

Use only replacement parts supplied by SÓLAS. Use of any other parts, or modifying the fireplace in any way, will void all warranties.

# WARRANTY INFORMATION

## THE WARRANTY

SÓLAS, LLC, a division of Progressive Manufacturing, Inc. ("SÓLAS"), Limited Warranty warrants your SÓLAS brand electric fireplace ("Product") to be free from defects in materials and workmanship at the time of manufacture.

Products covered by this limited warranty have been tested and inspected prior to shipment. Subject to the provisions of this warranty, SOLAS, warrants such products to be free from defects in material and workmanship for a period of two years from the date of purchase.

After installation, if covered components manufactured by SÓLAS are found to be defective in material or workmanship during the Limited Warranty period and while the Product remains at the site of the original installation, SÓLAS will, at its option, repair or replace the covered components.

If repair or replacement is not commercially practical, SÓLAS will, at its option, refund the purchase price or wholesale price of the SÓLAS product, whichever is applicable.

THERE ARE EXCLUSIONS AND LIMITATIONS to this Limited Warranty as described herein.

SÓLAS is not responsible for the labor costs to remove defective parts or reinstall repaired or replacement parts. Glass carries the Limited Warranty against thermal breakage only.

## COVERAGE COMMENCEMENT DATE

Warranty coverage begins on the date of installation. The warranty shall commence no later than 24 months following the date of product shipment from SÓLAS, regardless of the installation date.

## EXCLUSIONS AND LIMITATIONS

This Limited Warranty applies only if the Product is installed in the United States or Canada and only if operated and maintained in accordance with the printed instructions accompanying the Product and in compliance with all applicable installation and building codes and good trade practices.

This warranty is non-transferable and extends to the original owner only. The Product must be purchased through a listed supplier of SÓLAS and proof of purchase must be provided.

Any part that is provided under the warranty to repair any defect will continue to be covered under the existing warranty which commenced from the original purchase date. For avoidance of doubt, the guarantee period will not be extended even if we repair or replace a component.

Discoloration and some minor expansion, contraction, or movement of certain parts and resulting noise is normal and not a defect, and, therefore, not covered under warranty.

This warranty is void if:

- a) The unit has been operated in atmospheres contaminated by chlorine, fluorine or other damaging chemicals.
- b) The unit is subject to submersion in water or prolonged periods of dampness or condensation.

This limited warranty does not apply to products that have been repaired, except by SOLAS or its authorized service representatives, or otherwise altered. This limited warranty further does not apply to defects resulting from misuse, abuse, accident, neglect, incorrect installation, improper maintenance or handling, or operation with an incorrect power source. Products made by other manufacturers, sold with the product or thereafter, are not covered by this limited warranty. The use of unauthorized components will render this warranty null and void.

This Limited Warranty covers only parts as provided herein. In no case shall SÓLAS be responsible for materials, components, or construction, which are not manufactured or supplied by SÓLAS or for the labor necessary to install, repair, or remove such materials, components, or construction. Additional utility bills incurred due to any malfunction or defect in equipment are not covered by this warranty. All replacement or repair components will be shipped F.O.B. from the nearest stocking SÓLAS facility.

## LIMITATION ON LIABILITY

It is expressly agreed and understood that SÓLAS' sole obligation and the purchaser's exclusive remedy under this warranty, under any other warranty, expressed or implied, or in contract, tort or otherwise, shall be limited to replacement, repair, or refund, as specified herein.

In no event shall SÓLAS be liable for any incidental or consequential damages caused by defects in the Product, whether such damage occurs or is discovered before or after repair or replacement, and whether such damage is caused by SÓLAS' negligence. SÓLAS has not made and does not make any representation or warranty of fitness for a particular use or purpose, and there is no implied condition of fitness for a particular purpose.

SÓLAS makes no expressed warranties except as stated in this Limited Warranty. The duration of any implied warranty is limited to the duration of this expressed warranty.

No one is authorized to change this Limited Warranty or to create for SÓLAS any other obligation or liability in connection with the Product. Some states and provinces do not allow the exclusion or limitation of incidental or consequential

## SÓLAS, LLC

P (603) 298-5169  
F (603) 298-9246

[solasfires.com](http://solasfires.com)

THANK YOU FOR CHOOSING  
**SÓLAS**

[solasfires.com](http://solasfires.com)

**RECORD YOUR PRODUCT INFORMATION**

Model #: \_\_\_\_\_ Serial Number: \_\_\_\_\_

Date Purchased: \_\_\_\_\_ Date Installed: \_\_\_\_\_