

### INSTALLATION & OPERATION MANUAL

**THIS POWER VENT KIT IS ONLY FOR USE WITH THE FOLLOWING SÓLAS MODELS:**

SL-16N, SL-16P, SL-26N, SL-26P, ST-46N, ST-46P, FS-16N-RV, FS-16P-RV, FS-16N-TV, FS-16P-TV, BI-38N-C, BI-38P-C, BI-38N-T, BI-38P-T, 46N-BICZ, 26N-BICZ, 16N-BICZ, BI-48-SSL, BI-48-SSR, BI-48-ST, BI-60-SSL, BI-60-SSR, BI-60-ST, BI-72-SSL, BI-72-SSR, BI-72-ST



SCPV-900C SHOWN

**DUE TO HIGH TEMPERATURES, THE APPLIANCE SHOULD BE LOCATED OUT OF TRAFFIC AND AWAY FROM FURNITURE AND DRAPERIES.**

**CHILDREN AND ADULTS SHOULD BE ALERTED TO THE HAZARDS OF HIGH SURFACE TEMPERATURE AND SHOULD STAY AWAY TO AVOID BURNS OR CLOTHING IGNITION.**

**YOUNG CHILDREN SHOULD BE SUPERVISED WHEN THEY ARE IN THE SAME ROOM AS THE APPLIANCE.**

**CLOTHING OR OTHER FLAMMABLE MATERIAL SHOULD NOT BE PLACED ON OR NEAR THE APPLIANCE.**

**KEEP THE ROOM AREA CLEAR AND FREE FROM COMBUSTIBLE MATERIALS, GASOLINE, AND OTHER FLAMMABLE VAPORS AND LIQUIDS.**

**WARNING:** Improper installation, adjustment, alteration, services or maintenance can cause injury or property damage. Refer to this manual. For assistance or additional information, consult a qualified installer, service agency or the gas supplier.

**SÓLAS STRONGLY SUGGESTS THAT YOU READ THIS MANUAL THOROUGHLY BEFORE BEGINNING THE INSTALLATION OF THE SÓLAS POWER VENT KIT. THIS SPECIFIC PRODUCT HAS ITS OWN UNIQUE SET-UP AND INSTALLATION REQUIREMENTS THAT MUST BE FOLLOWED EXACTLY. PLAN YOUR INSTALLATION IN ADVANCE BY CAREFULLY RE-VIEWING ALL THE INFORMATION CONTAINED IN THIS MANUAL.**

**WARNING: ALL INSTALLATION, SERVICING, AND TROUBLESHOOTING MUST BE PERFORMED BY A QUALIFIED GAS TECHNICIAN.**

Ce manuel est disponible en Francais sur demande.

# TABLE OF CONTENTS

SÓLAS Power Vent Components	3
SÓLAS Power Vent Terminations	4
Flush-mount Termination specifications	6
Surface-mount Termination specifications	7
Power Vent Clearances	8
Venting Configurations	9
Flush Mount (side wall) Installation	10
Surface Mount (side wall) Installation	11
Vertical (thru the roof) Installation	12
Installation Instructions	14
Electrical Instructions	16
Calibration and Operation	17
Troubleshooting	20
Replacement Parts List	22
Warranty Information	23

**WARNING:**

This installation manual covers the functional requirements for optimal performance of your fireplace with power vent installation, consult with a professional architect, civil engineer, or home builder regarding the building code, aesthetic and

**NOTE:**

SÓLAS advises that the appliance installation should be calibrated, tested, and the fireplace burned to ensure optimal performance and desired flame aesthetics BEFORE the vent system or fireplace are enclosed and walls or ceilings are finished.

# SÓLAS POWER VENT COMPONENTS

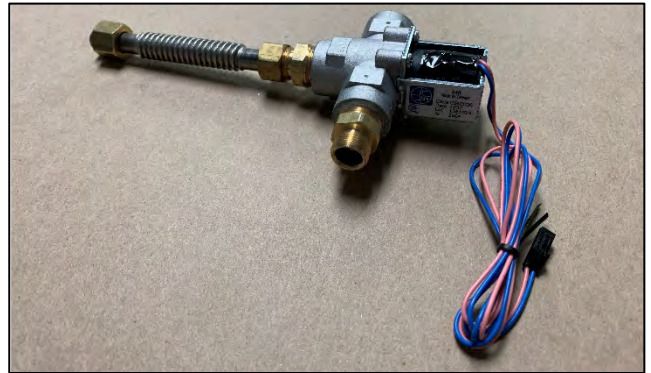
**SCPV-900C** - Self-Calibrating Power Vent Control Module, required for all power vent installations.



**SCPV-905PS** - Self-Calibrating Power Vent Pressure Switch, required for all power vent installations. Only use the pressure switch certified by SÓLAS with the SÓLAS Self-Calibrating Power Vent Control. Connect to pressure port using the 12ft length of 1/4" ID silicon tubing (not shown) supplied with the Self-Calibrating Power vent control kit.



**SCPV-914GS** - Self-Calibrating Power Vent Gas Solenoid, required for all power vent installations. Only gas solenoids certified for use by SÓLAS are to be used with the SÓLAS Self-Calibrating Power Vent Control.



**SCPV-TWH-XX** - Self-Calibrating Power Vent termination wire harness, required for all power vent installations. The termination wire harness is available in 25, 50, 100, and 150 lengths.



Harness Part #	Description
SCPV-TWH-25	Termination Wire Harness, 25FT long
SCPV-TWH-50	Termination Wire Harness, 50FT long
SCPV-TWH-100	Termination Wire Harness, 100FT long
SCPV-TWH-150	Termination Wire Harness, 150FT long

# SÓLAS POWER VENT TERMINATIONS

**SCPV-946DVA** – Self-Calibrating Power Vent Pressure Port Vent Adapter, required with terminations SCPV-130-FLUSH, SCPV-130-SURFACE, and SCPV-130-VERTICAL.

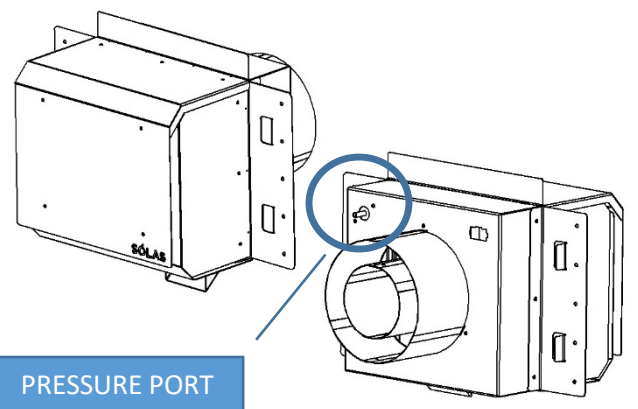
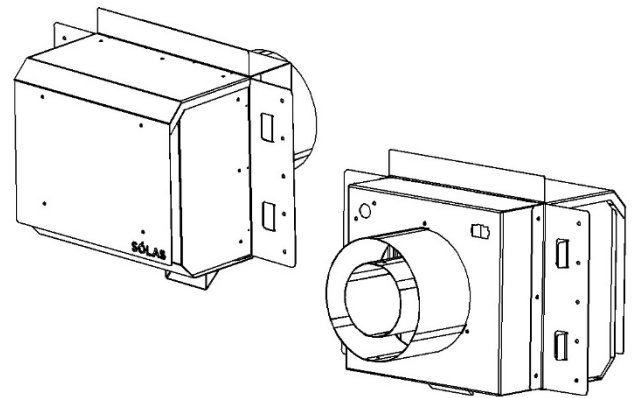
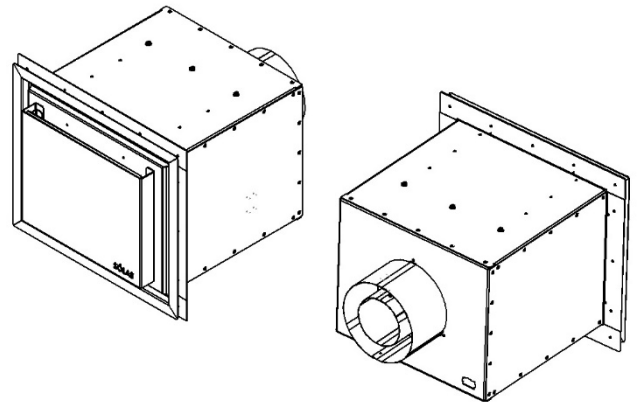
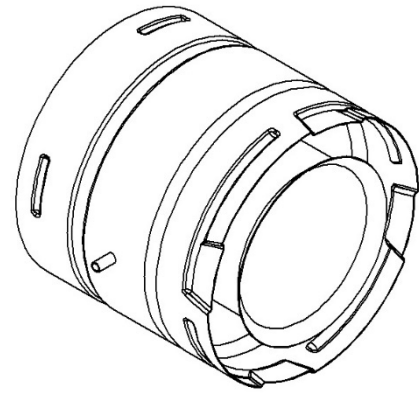
**NOTE:** This adapter, based on M&G Duravent’s 46DVA-06 directvent pipe, should be installed immediately on the starter collar of the fireplace. For SÓLAS fireplaces requiring a 45° elbow immediately following the starter, this adapter should be installed immediately following the 45° elbow.

**SCPV-130-FLUSH** – Self-Calibrating Power Vent Flush-Mount Termination, for use with vent runs over 10 feet in length, regardless of the number of elbows in the vent configuration. This termination requires the use of SCPV-946DVA - Self-Calibrating Power Vent Pressure Port Vent Adapter.

**SCPV-130-SURFACE** – Self-Calibrating Power Vent Surface-Mount Termination, for use with vent runs over 10 feet in length, regardless of the number of elbows in the vent configuration. This termination requires the use of SCPV-946DVA - Self-Calibrating Power Vent Pressure Port Vent Adapter.

**SCPV-10-SRSM** – Self-Calibrating Power Vent Surface-Mount Termination, for use with vent runs under 10 feet in length, regardless of the number of elbows in the vent configuration. This termination is **Not to be used** with SCPV-946DVA - Self-Calibrating Power Vent Pressure Port Vent Adapter.

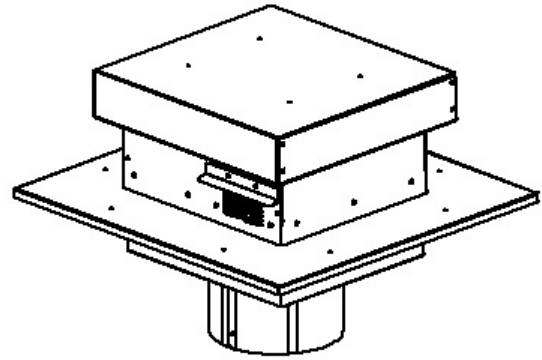
**NOTE:** This termination can be differentiated from SCPV-130-SURFACE by the addition of the pressure port on the rear top-left corner of the termination.



PRESSURE PORT

# SÓLAS POWER VENT TERMINATIONS

**SCPV-130-VERTICAL** – Self-Calibrating Power Vent Vertical Termination, for use with vertically terminating vent runs only. This termination requires the use of SCPV-946DVA - Self-Calibrating Power Vent Pressure Port Vent Adapter.



The SOLAS Self-Calibrating Power vent kit can only be used in conjunction with the SÓLAS Contemporary Fire products listed below. This installation must conform with local codes, or, in the absence of local codes, with the National Fuel Gas Code, ANSIZ2223.1/NFPA 54, or the Natural Gas and Propane Installation Code, CSA B149.1.

## **THIS POWER VENT KIT IS ONLY FOR USE WITH THE FOLLOWING SÓLAS MODELS:**

SL-16N, SL-16P, SL-26N, SL-26P, ST-46N, ST-46P, FS-16N-RV, FS-16P-RV, FS-16N-TV, FS-16P-TV, BI-38N-C, BI-38P-C, BI-38N-T, BI-38P-T, BI-48-SSL, BI-48-SSR, BI-48-ST, BI-60-SSL, BI-60-SSR, BI-60-ST, BI-72-SSL, BI-72-SSR, BI-72-ST

**This kit uses either M&G Duravent direct vent pipe, Secure Vent direct vent pipe, or Selkirk Direct-temp vent pipe with a 4” inner pipe and a 6-5/8” outer pipe.**

**Vertical installations must use the SCPV-130-VERTICAL termination.** The vertical termination can only be installed on flat surfaces; sloped surfaces require construction of a chase which provides the minimum interior square opening of 11.9”x12.9” (302mm x 328mm) for the venting and wiring to pass through. Flat roofs may require a chase depending on local codes and roof construction. (If in doubt check with your local inspector)

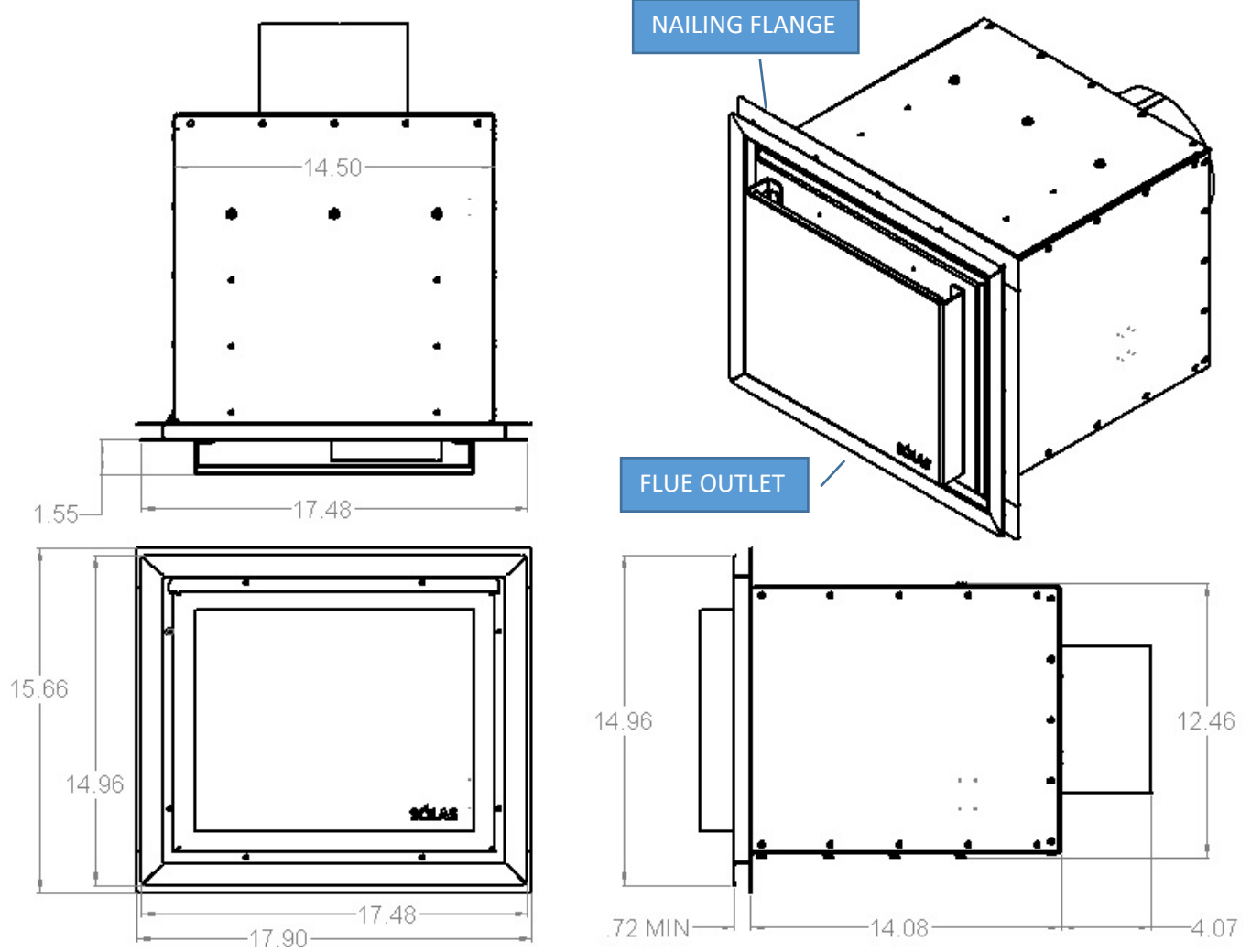
ALWAYS MAINTAIN THE REQUIRED 1.5” (38mm) CLEARANCE TO COMBUSTIBLES AND ELECTRICAL WIRING AROUND VENT PIPE.

The location of the Power Vent termination must be in accordance with the clearances outlined in the venting section of this manual on page 8.

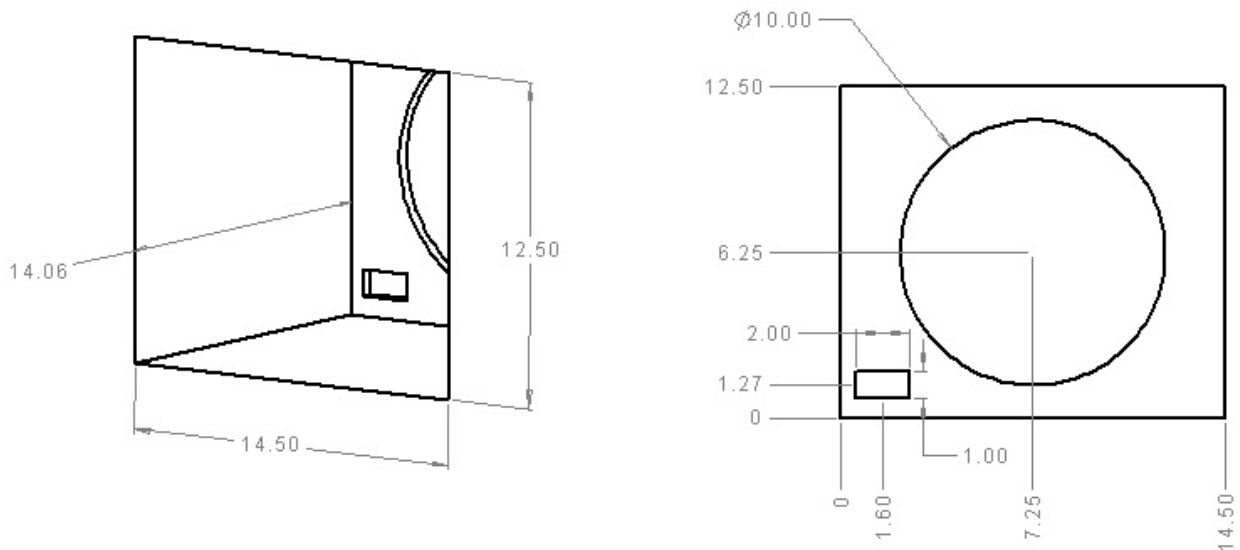
For replacement parts, refer to page 22. Replacement parts can be ordered through your authorized SÓLAS dealer.

# FLUSH-MOUNT TERMINATION SPECIFICATIONS

## SCPV-130-FLUSH – Self-Calibrating Flush-Mount Power Vent Dimensions:

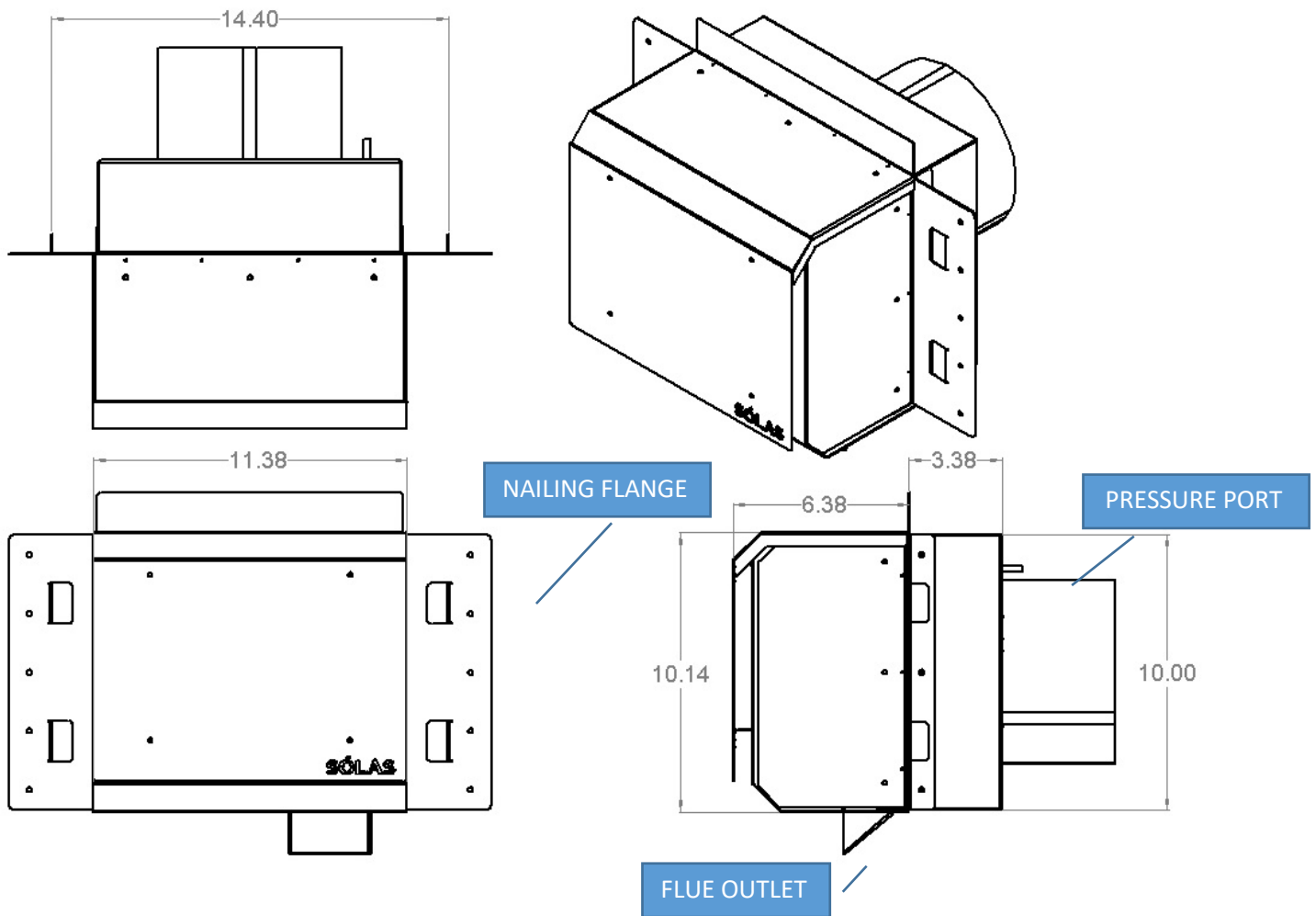


## SCPV-130-Flush – Self-Calibrating Flush-Mount Power Vent Cavity Dimensions:

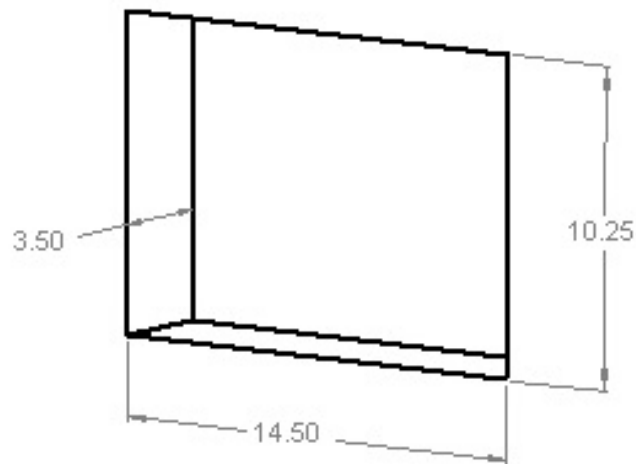


# SURFACE-MOUNT TERMINATION SPECIFICATIONS

**SCPV-10-SRSM & SCPV-130-SURFACE** – Self-Calibrating Surface-Mount Power Vent Dimensions:

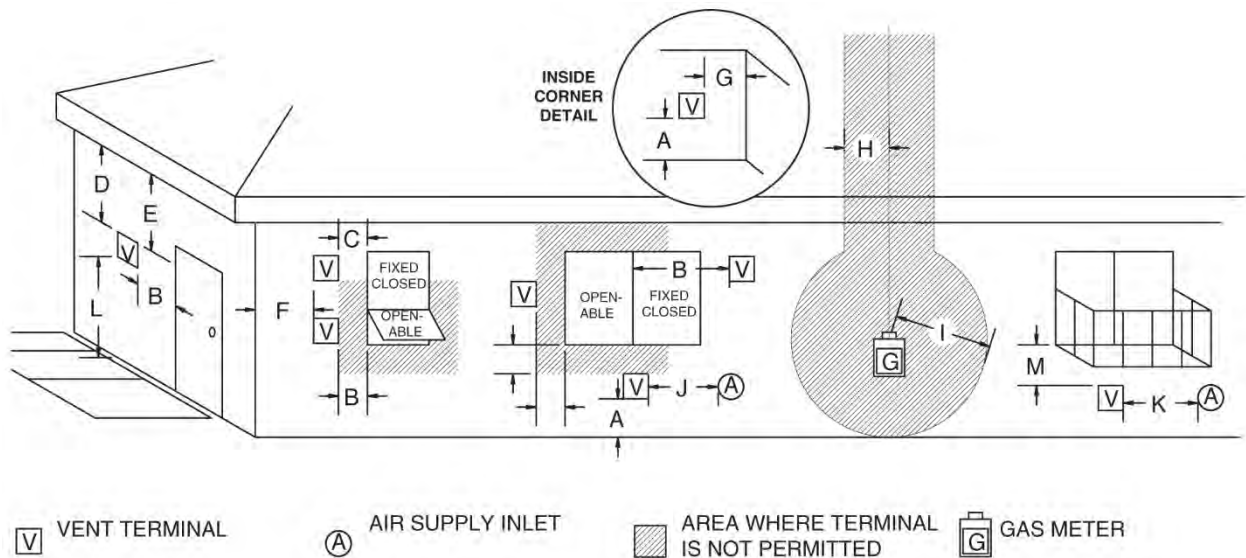


**SCPV-10-SRSM & SCPV-130-SURFACE** – Self-Calibrating Surface-Mount\* Power Vent Cavity Dimensions:



\*These dimensions apply to SCPV-130-SURFACE and SCPV-10-SRSM, see page 12 for SCPV-130-VERTICAL

# POWER VENT CLEARANCES



**Figure #1**

- A. clearances above grade, veranda, porch, deck, or balcony [\*12 inches (30 cm) minimum]
- B. clearance to window or door that may be opened [\* 12 inches (30 cm) minimum]
- C. clearance to permanently closed window [minimum 12 inches (30 cm) recommended to prevent condensation on window]
- D. vertical clearance to ventilated soffit located above the terminal within a horizontal distance of 2 feet (60 cm) from the edge of the terminal [12 inches (30 cm) minimum]
- E. clearance to unventilated soffit [12 inches (30 cm) minimum]
- F. clearance to outside corner [6 inches (15 cm) minimum]
- G. clearance to inside corner [6 inches (15 cm) minimum]
- H. \* not to be installed above a meter/regulator assembly within 3 feet (90 cm) horizontally from the center-line of the regulator
- I. clearance to service regulator vent outlet [\* 6 feet (1.8 m) minimum]
- J. clearance to non-mechanical air supply inlet to building or the combustion air inlet to any other appliance [\* 12 inches (30 cm) minimum]
- K. clearance to a mechanical air supply inlet [\* 6 feet (1.8 m) minimum]
- L. ^ clearance above paved side-walk or a paved driveway located on public property [\* 7 feet (2.1 m) minimum]
- M. clearance under veranda, porch, deck, or balcony [12 inches (30 cm) minimum\*\*]

^ a vent shall not terminate directly above a side-walk or paved driveway which is located between two single family dwellings and serves both dwellings\*

\*\* only permitted if veranda, porch, deck, or balcony is fully open on a minimum of 2 sides beneath the floor\*

\* as specified in CGA B149 Installation Codes, Note: local Codes or Regulation may require different clearances

\* for U.S.A. Installations follow the current National Fuel Gas Code, NSI Z223.1

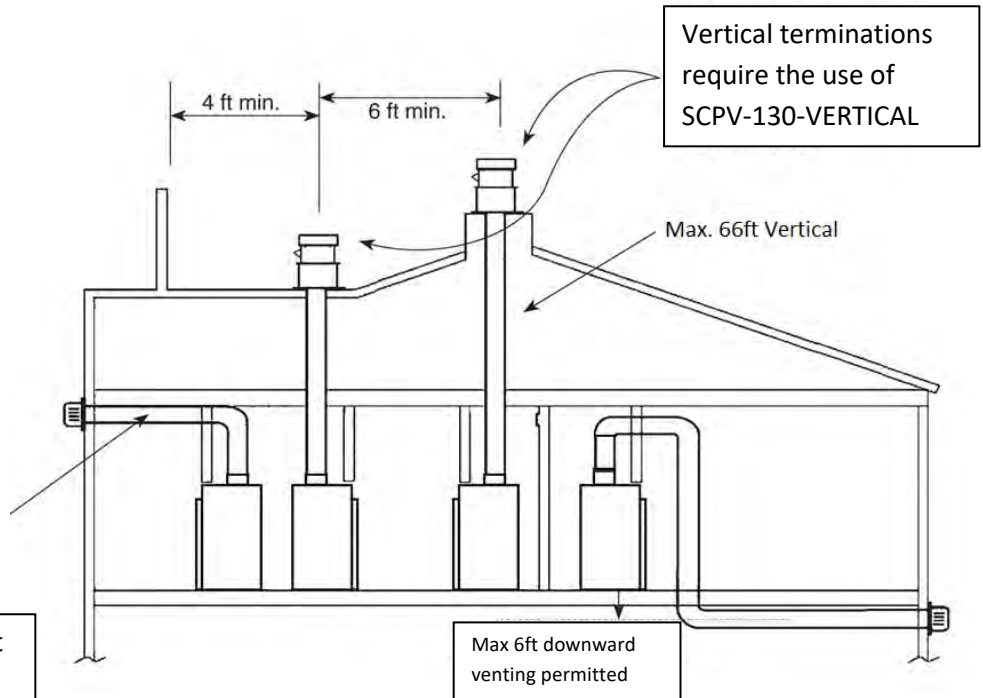


# VENTING CONFIGURATIONS

Maximum vent length is 130 ft.

Up to eight 90° elbows or combination of other elbows equaling 90° are permitted, for each 90° elbow, 3 ft must be deducted from the 130 ft maximum vent length. with a maximum 66ft vertical rise. Each 90° elbow is equivalent to 3 feet of venting. Minimum horizontal vent length is 3 ft. The vent can be installed with any combination of rise and run between the figures including up to 6 ft. of downward venting.

Maximum venting – 130ft including (8) 90° elbows.

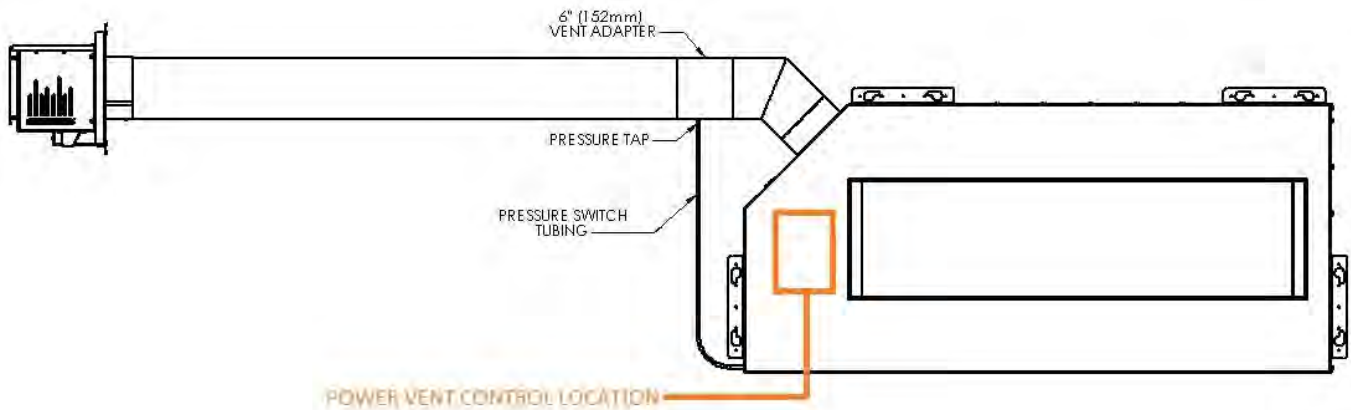


**Figure #2**

**WARNING:**

A minimum clearance to combustibles and electrical wiring of 1.5” (38mm) is required around the vent pipe at all times. Failure to maintain this clearance may result in property damage, injury, or death.

**NOTE:** The vent pipe must engage the power vent termination by at least 1.5” (38mm) to ensure the vent system is intact. Seal the joint with foil tape and self-tapping sheet metal screws (included).



**Figure #3**

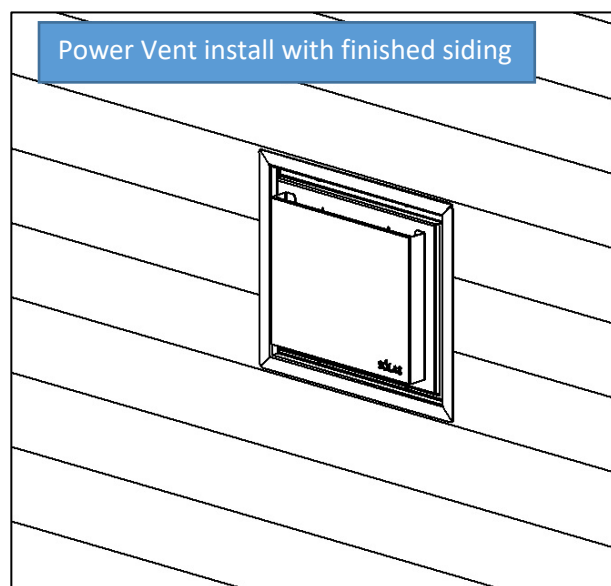
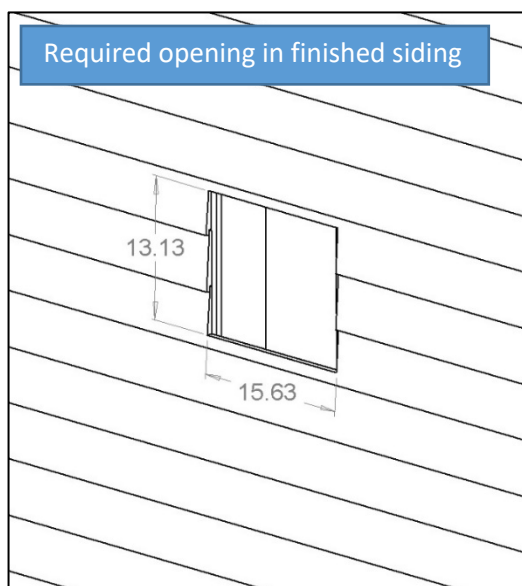
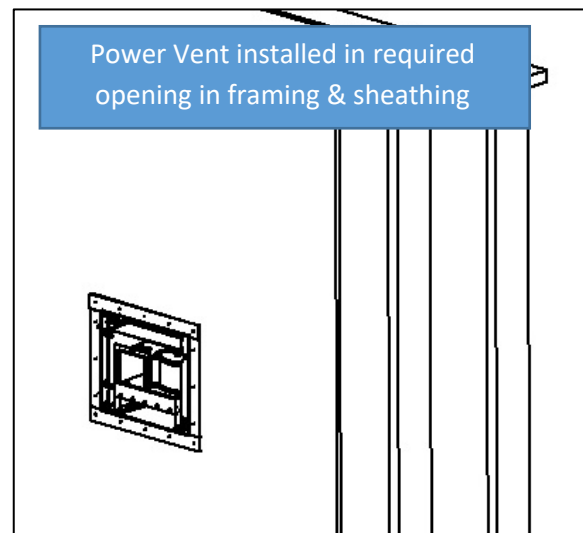
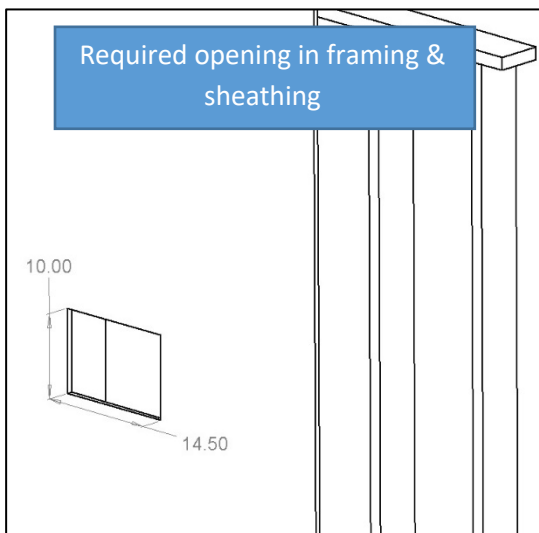
**NOTE:** IT IS PERMISSIBLE TO VENT HORIZONTALLY, DIRECTLY OFF OF THE UNIT, NO VERTICAL RISE IS REQUIRED WHEN EQUIPPED WITH A POWER VENT AS SHOWN IN FIGURE #3.

# FLUSH MOUNT (SIDE WALL) INSTALLATION

**NOTE:** Locate the power vent termination following the clearance to combustible table, venting configuration diagram (Fig. #2 & 3), and terminal location diagram (Fig. #1).

**NOTE:** The following instructions are for use SCPV-130-FLUSH only.

1. SCPV-130-FLUSH is designed to fit on center in between standard exterior 2x6 exterior framing. The opening required in the framing and exterior sheathing is 14.50" (368mm) wide by 10.00" (254mm) tall as shown in the image (right).
2. The power vent termination is secured to the sidewall by the left, right, top and bottom nailing flanges shown on page 6.
3. The power vent termination requires a 1/8" clearance to the siding to permit servicing of the blower motor. With this clearance requirement in mind, the opening required in the siding is 15.63" (397mm) wide by 13.13" (333.5mm) tall.

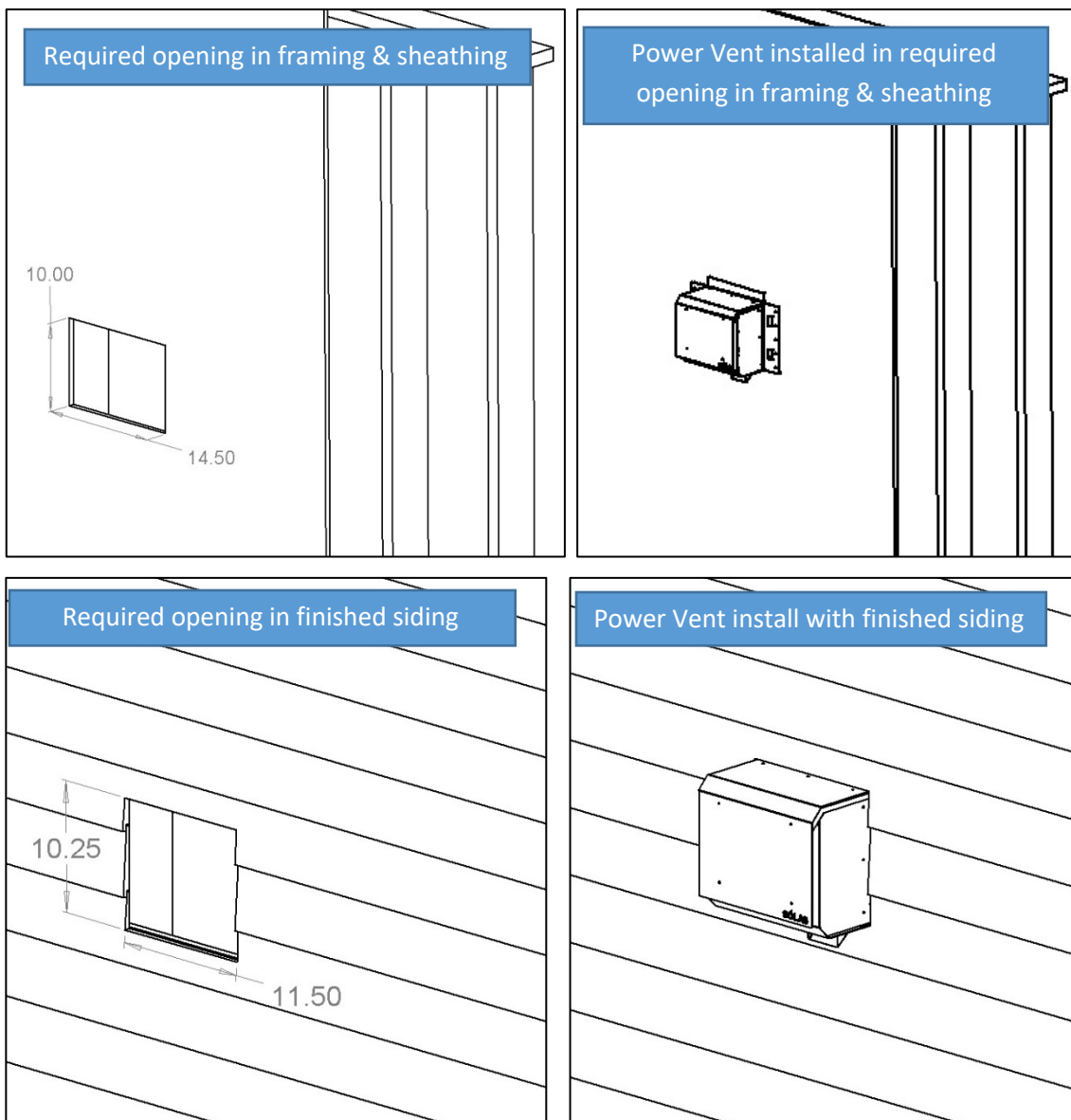


# SURFACE MOUNT (SIDE WALL) INSTALLATION

**NOTE:** Locate the power vent termination following the clearance to combustible table, venting configuration diagram (Fig. #2 & 3), and terminal location diagram (Fig. #1).

**NOTE:** The following instructions are for use SCPV-130-SURFACE & SCPV-10-SRSM only.

1. SCPV-130-SURFACE and SCPV-10-SRSM are designed to fit on center in between standard exterior 2x6 exterior framing. The opening required in the framing and exterior sheathing is 14.50" (368mm) wide by 10.00" (254mm) tall as shown in the image (right).
2. The power vent termination is secured to the sidewall by the left and right nailing flanges shown on page 7.
3. The power vent termination requires a 1/8" clearance to the siding to permit servicing of the blower motor. The opening required in the siding is 11.50" (292mm) wide by 10.25" (260mm) tall.



# VERTICAL (THRU THE ROOF) INSTALLATION

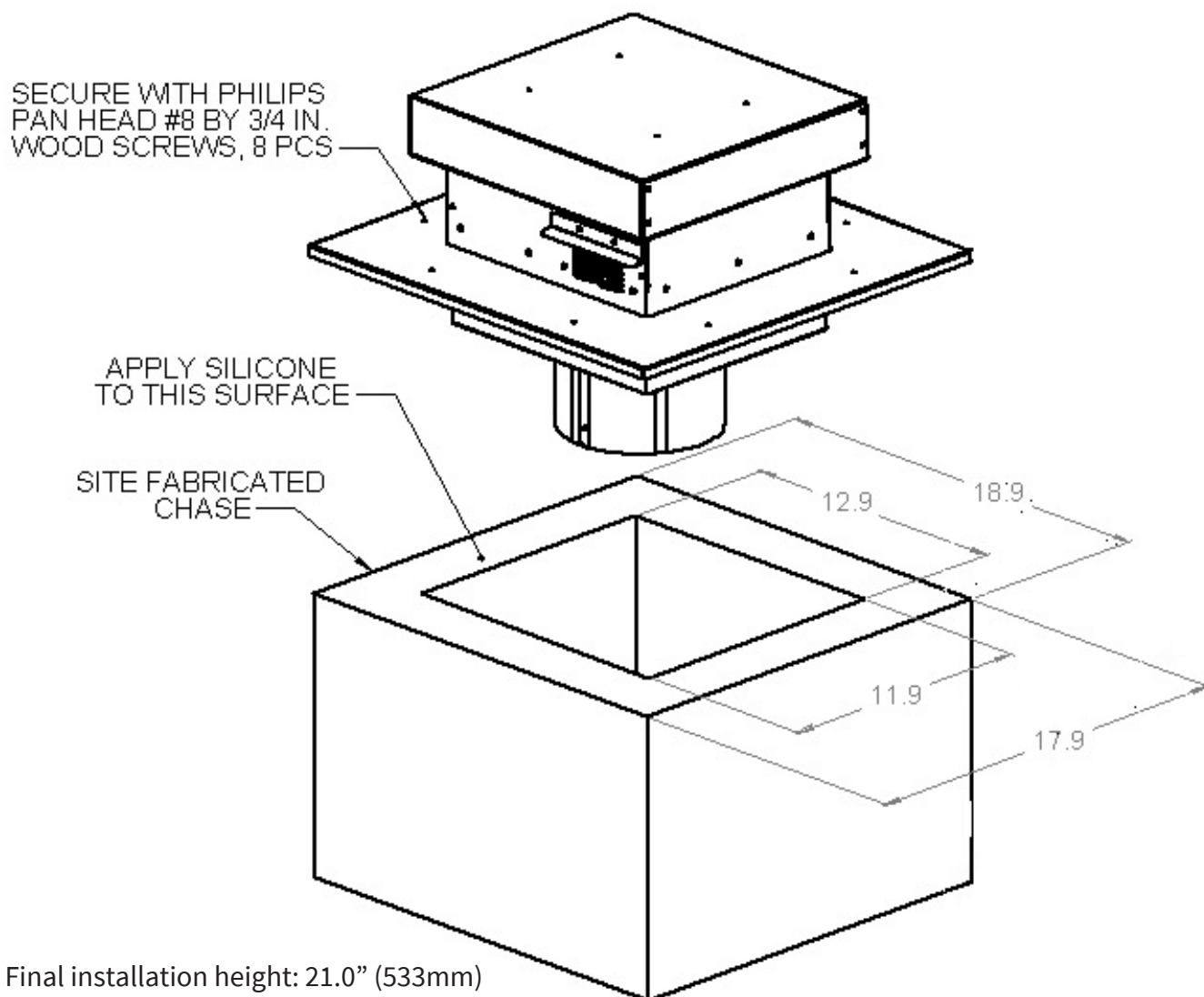


Figure 5

**NOTE:** SCPV-130-VERTICAL shown, vertical terminating installations **MUST** use SCPV-130-VERTICAL only.

**NOTE:** LOCAL CODES OR REGULATIONS MAY REQUIRE INCREASED CLEARANCES.

For flat roof installations, check local codes for dimensional requirements for the site fabricated chase.

**WARNING:** This installation manual covers the functional requirements for optimal performance of your fireplace with power vent installation, consult with a professional architect, civil engineer, or home builder regarding the building code, aesthetic and functional finishing requirements of the home.

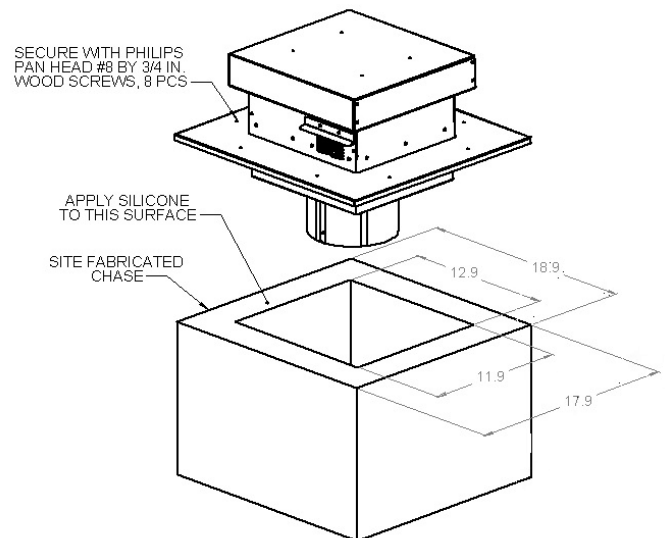
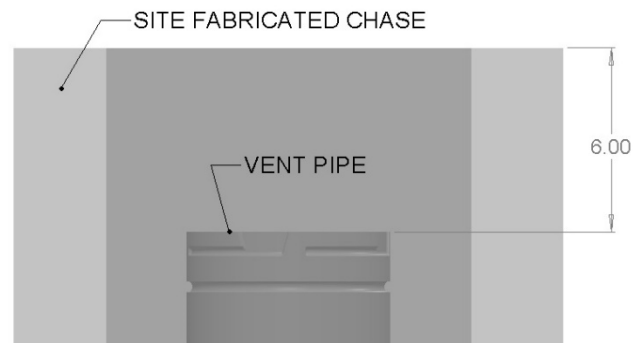
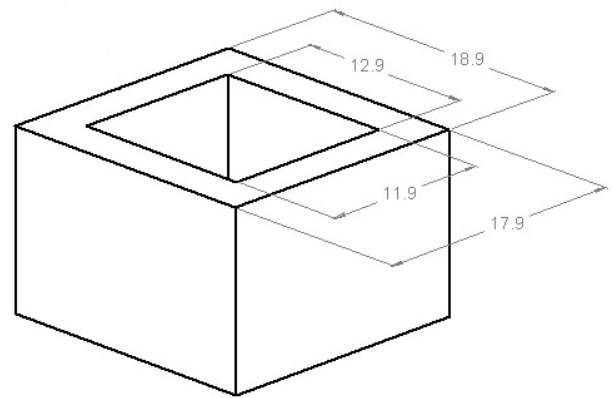
# VERTICAL (THRU THE ROOF) INSTALLATION

**NOTE:** The site fabricated chase must be a minimum of 14.5" (368mm) tall, additional height may be required to prevent obstruction of the exhaust outlet by snow accumulation.

**NOTE:** Orientate the power vent so the exhaust outlet is facing away from the home, roof, or any potential obstructions. The chase may require additional height to avoid obstructions or nearby features.

**NOTE:** when fabricating the chase, be sure that combustibles and electrical wiring are a minimum of 1.5" (38mm) from the vent pipe at all times.

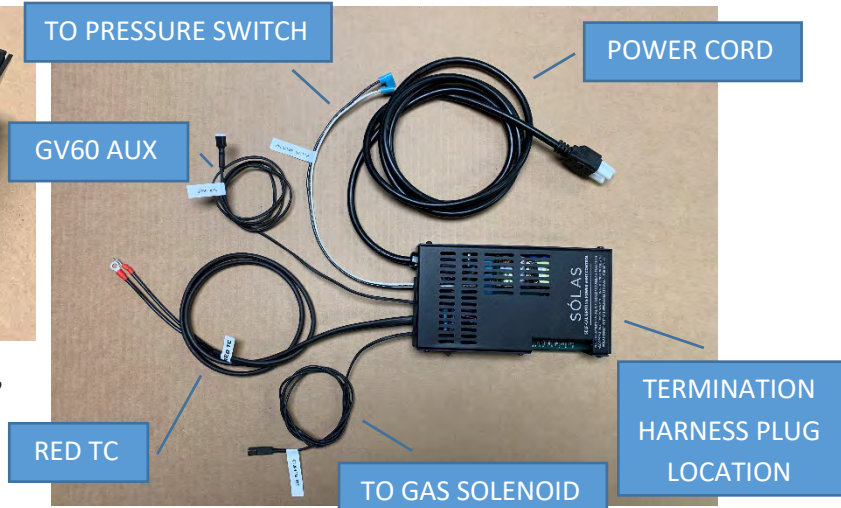
1. The inside dimensions of the site fabricated chase should be 12.9" (328mm) long by 11.9" (302mm) wide. The exhaust outlet is on the 12.9" (328mm) long side of the chase.
2. Exterior dimensions of the site fabricated chase should be 18.9" (480mm) long by 17.9" (455mm) wide. The exhaust outlet is on the 18.9" (480mm) long side of the chase.
3. The vent pipe should be installed so that it sits 6" (152mm) below the top surface of the site fabricated chase. This will ensure that the power vent termination engages by at least 1.5" (38mm).
4. When running **SCPV-TWH-XX** - Self-Calibrating Power Vent termination wire harness through the chase to meet the termination, be sure the harness is a minimum of 1.5" (38mm) from the vent pipe at all times. Secure the wire harness as necessary to be sure this distance is maintained.
5. Apply a silicone sealant to the mating surface of the site fabricated chase as the termination is installed. Secure the termination with the (8pcs) included #8 x 3/4 pan head wood screws.



# INSTALLATION INSTRUCTIONS



The above image shows the power vent control, part #SCPV-900C



There are 4 wire harnesses in addition to the power cord along the top edge of the Self-Calibrating Power Vent Control. The lower "Termination Harness Plug" is for the Termination Wire Harness which carries power to the power vent and restrictor position signals back to the control board. (see below).



The image above shows the pressure switch (**SCPV-905PS**) used with the Self-Calibrating Power Vent. The black port should be left open to the atmosphere; the grey port should be connected to the vent pressure tap using the included silicone tubing. The pressure switch requires a negative pressure of 0.05" W.C. to confirm the power vent is running and permit the gas solenoid to open allowing the main burner to ignite.

Connect the black 10-pin bladed connector of the Termination Wire Harness (SCPV-TWH-XX) to the Termination Harness Plug, the White 10-pin header will plug into the Power Vent Termination. As is required for all combustible materials, this Wire Harness must remain at least 1.50" (38mm) away from the vent pipe at all times.

This side of the harness plugs into the power vent control



This side of the harness plugs into the power vent termination

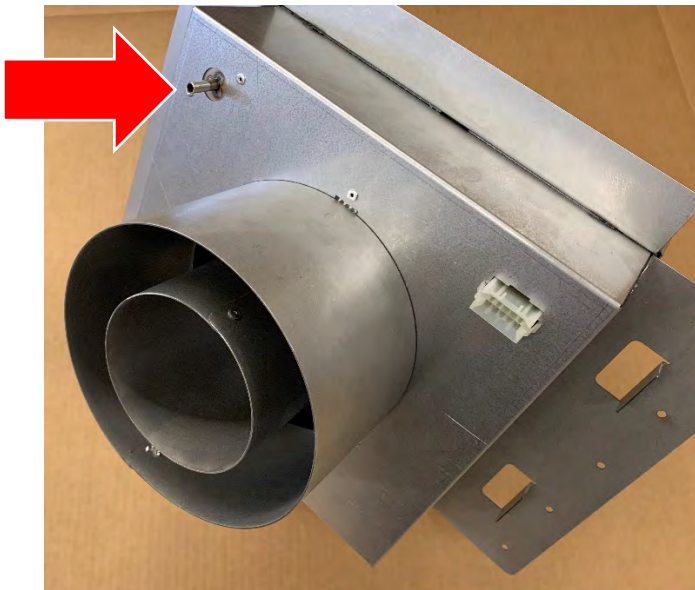
# INSTALLATION INSTRUCTIONS

## FOR VENT RUNS OVER 10FT IN LENGTH:



Install the Self-Calibrating Power Vent Pressure Port Adapter (SCPV-946DVA) immediately following the appliance starter collar (or 45° elbow off the unit when required). Connect the silicone tube from the pressure tap on the vent adapter to the light grey port on the control using the pressure switch tubing provided with the Self-Calibrating Power Vent Pressure Switch (SCPV-905GS). 12ft of tubing is supplied with the Powervent control, (SCPV-900C). Only use the length of tubing that is necessary for your installation, trim to length. Tape all seams in the venting system using Aluminum Foil HVAC Tape.

## FOR VENT RUNS UNDER 10FT IN LENGTH:



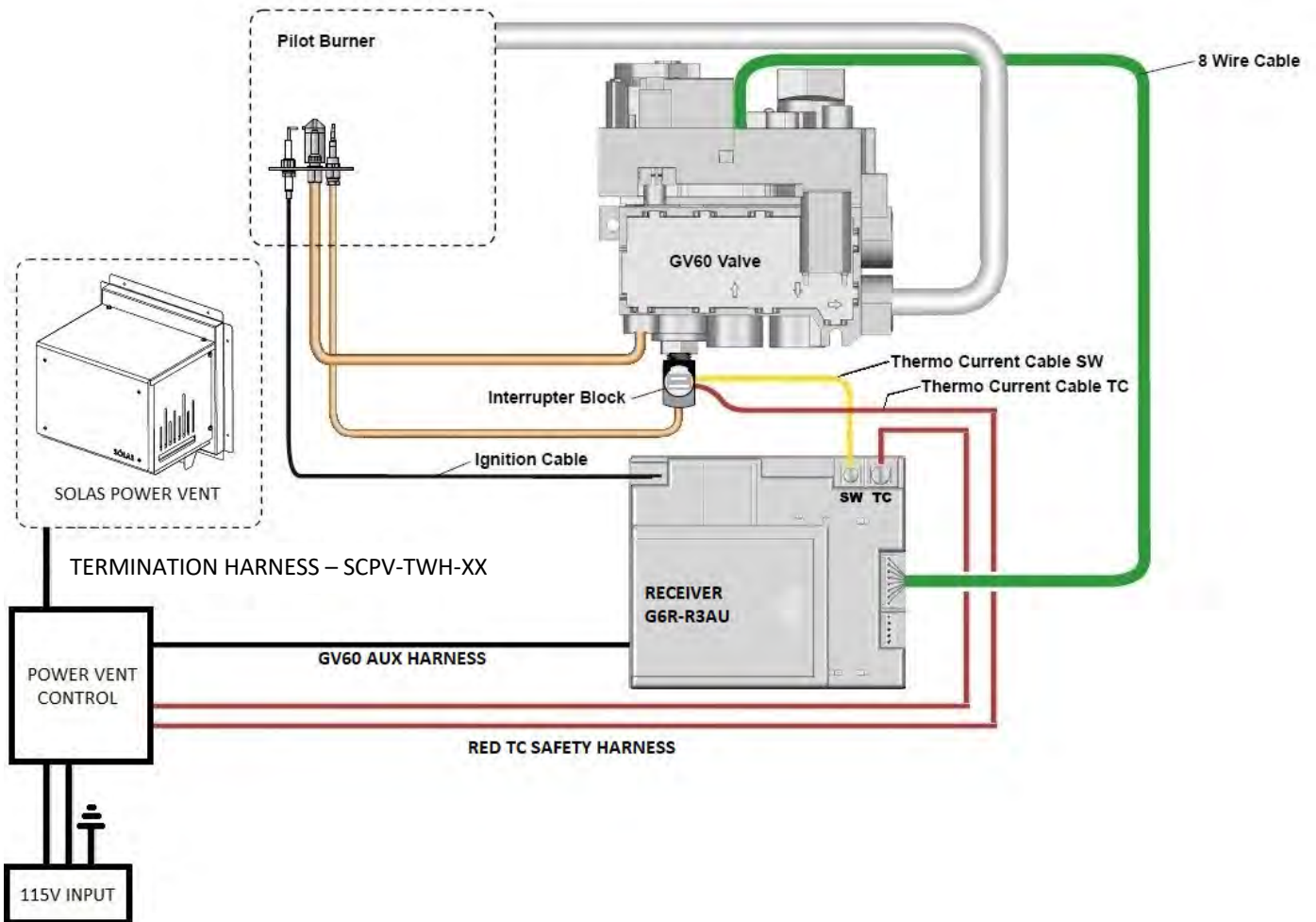
For vent runs that are under 10 feet in length excluding elbows the Self-Calibrating Power Vent Pressure Port Adapter (SCPV-946DVA) **WILL NOT BE USED**. Installations which use less than 10 feet of vent pipe excluding elbows will be terminated using SCPV-10-SRSM, Self-Calibrating Power Vent Surface-Mount Termination. Once the fireplace is in position, vent run and termination are installed, connect the silicone pressure tubing from the pressure switch near the power vent control to the pressure port on the back of the power vent termination. 12ft of tubing is supplied with the Powervent control, (SCPV-900C). Only use the length of tubing that is necessary for your installation, trim to length. SCPV-10-SRSM is the only termination which includes this port.

# ELECTRICAL INSTRUCTIONS

**NOTE:** Once the electrical wiring has been completed, test the system to be sure its performance is as desired before the finishing work is completed and the fireplace is enclosed within the wall.

## WARNING

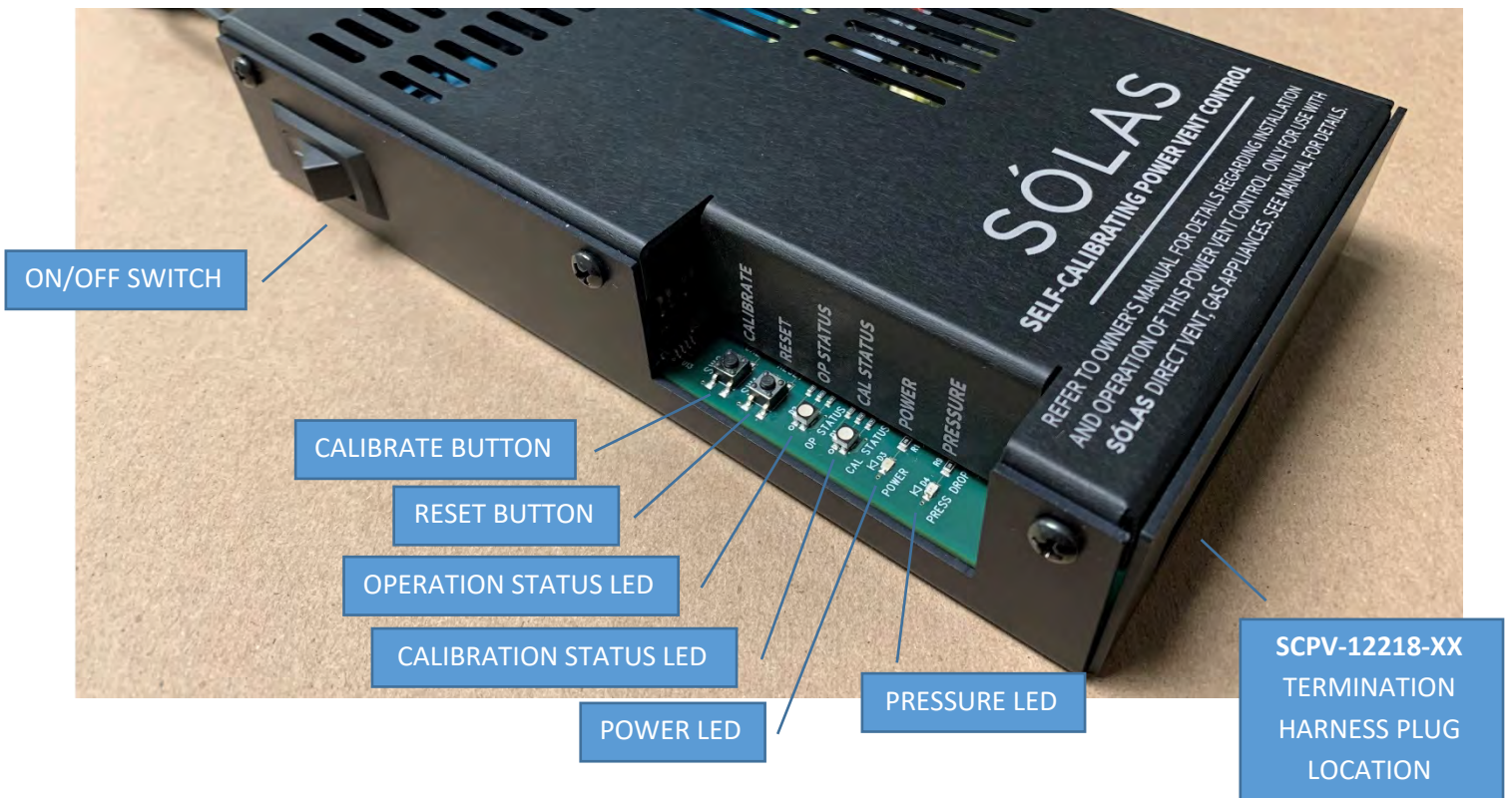
All electrical shall be completed by a licensed Electrician and must conform with local building code. Improper installation may result in property damage, injury, or loss of life.



**Caution:** Label all wires prior to disconnection when servicing the controls. Wiring errors can cause improper and dangerous operation. Verify proper operation after servicing.



# CALIBRATION AND OPERATION



**WARNING: BEFORE SERVICING THE POWERVENT CONTROL, DISCONNECTING OR RECONNECTING ANY WIRE HARNESS, DISCONNECT POWER TO THE APPLIANCE.**

**WARNING: ALL INSTALLATION, SERVICING, AND TROUBLESHOOTING MUST BE PERFORMED BY A QUALIFIED GAS TECHNICIAN.**

**NOTE:** ANY TIME POWER IS APPLIED TO THE POWER VENT CONTROL, THE CONTROL WILL BEGIN A 60 SECOND PURGE CYCLE, DURING THIS PURGE CYCLE THE CALIBRATION SEQUENCE CANNOT BE INITIATED. DURING THE PURGE CYCLE, THE "OPERATION STATUS LED" WILL BE BLUE.

**NOTE:** ANY TIME THE RESET BUTTON IS PRESSED ON THE POWER VENT CONTROL, THE CONTROL WILL BEGIN A 60 SECOND PURGE CYCLE, DURING THIS PURGE CYCLE THE CALIBRATION SEQUENCE CANNOT BE INITIATED. DURING THE PURGE CYCLE, THE "OPERATION STATUS LED" WILL BE BLUE.

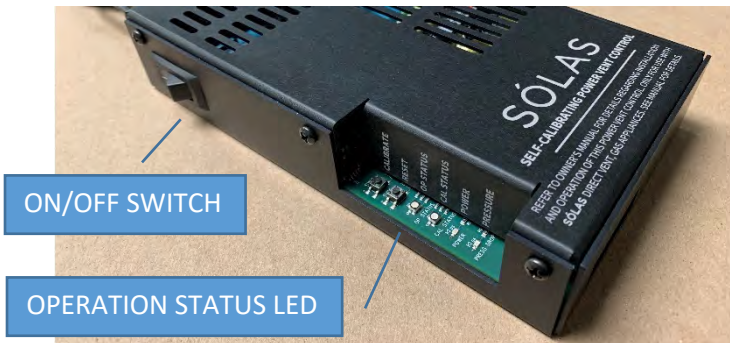
**NOTE:** In the event of a power loss during normal operation, the power vent and fireplace will shut down. When power is restored the unit will be locked out. To relight the unit, press the off button on the remote, listen for a single beep from the GV60 control. Once a single beep is heard, the fireplace can be relit following the instructions on the lighting label of the appliance.

# CALIBRATION AND OPERATION

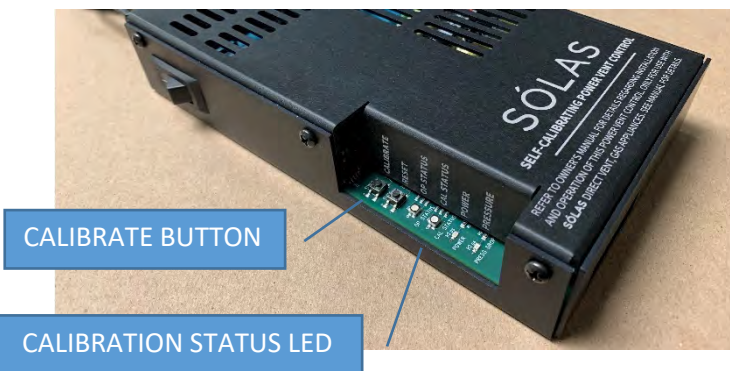
## Calibration Sequence

When the fireplace, venting, and Power vent termination have been installed, the calibration sequence can be initiated prior to test burning the fireplace for the first time.

1. Connect power to the power vent control, turn on the on/off switch. A 60 second purge cycle will begin; calibration cannot begin during this time. During the purge cycle, the “Operation Status LED” will be blue. Once the purge cycle has completed, the LED will turn off.

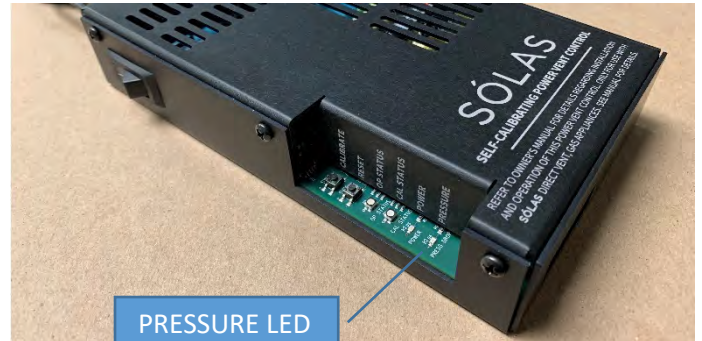


2. Press the “Calibration” button to begin the calibration sequence. The “Calibration Status LED” will turn blue as the calibration sequence begins.

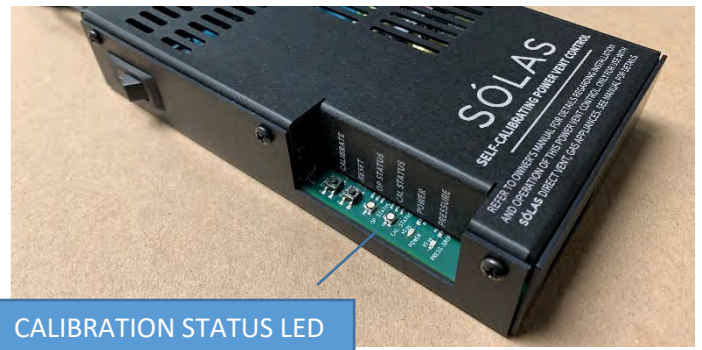


3. Without any user intervention, the calibration sequence is as follows:

*The restrictor contained within the power vent termination will close. Once the restrictor is closed, the power vent blower will start. When the power vent blower has reached its operating RPM, the restrictor will begin to open. Once the appropriate pressure is reached within the vent system, the “Pressure LED” will illuminate green and the restrictor will lock in the correct position.*



4. Upon a successful calibration, the “Calibration Status LED” will turn green.



5. The fireplace is now ready to operate.

**NOTE:** It should only be necessary to complete the calibration sequence when the appliance is first installed, however, if a service technician wants to conduct a calibration sequence at any time in the product’s life this is ok.

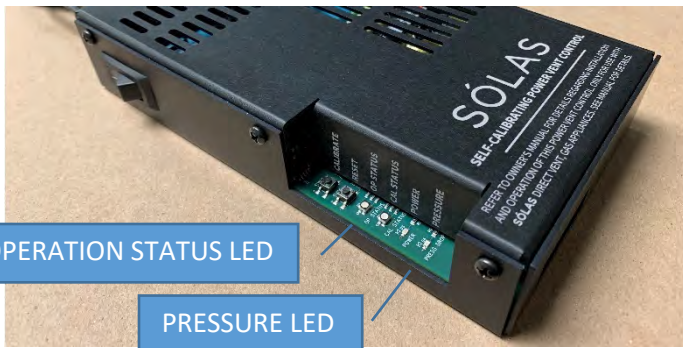
**NOTE:** If power is disconnected from the appliance after the calibration sequence has been successfully completed, the “Calibration Status LED” will no longer be illuminated green, however, the restrictor will not have moved and the power vent system will still operate normally.

# CALIBRATION AND OPERATION

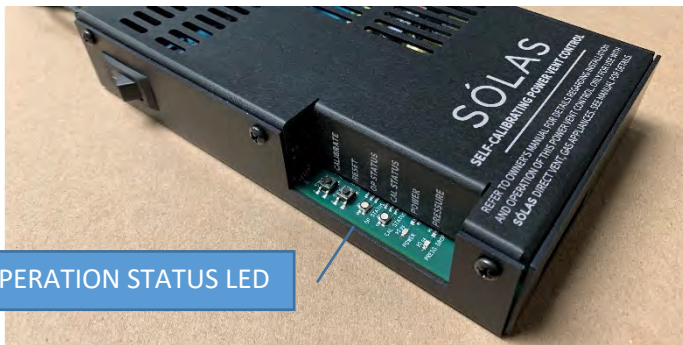
## Normal Operation

The SÓLAS Self-Calibrating Power Vent control is designed to integrate seamlessly with the Maxitrol GV60 control system used in all SÓLAS Direct-Vent Gas Fireplaces. No user intervention is required for the power vent control to operate during normal operation of the appliance, the following is to aid in understanding typical operation characteristics.

1. Light the fireplace using the SÓLAS fireplace remote, refer to the lighting label or lighting instructions in the product manual.
2. As the lighting sequence begins, the power vent will turn on.
3. When the pressure switch closes the “pressure LED” will turn on, the “Operation Status LED” will turn green.



4. When the “Operation Status LED” turns green, indicating normal operation, the gas solenoid (SCPV-914GS) will open, allowing the main burner to ignite.



5. The power vent blower will remain on until the unit is turned to standby (pilot only) or shut down completely.
6. When the unit is turned to standby (pilot only) or shut down completely, the “Operation Status LED” will turn blue, and a 60 second purge cycle will begin. Once the purge cycle is complete, the blower will remain off until the main burner is lit again.

**NOTE:** ANY TIME THE RESET BUTTON IS PRESSED ON THE POWER VENT CONTROL, THE CONTROL WILL BEGIN A 60 SECOND PURGE CYCLE, DURING THIS PURGE CYCLE THE CALIBRATION SEQUENCE CANNOT BE INITIATED. DURING THE PURGE CYCLE, THE “OPERATION STATUS LED” WILL BE BLUE.

**NOTE:** During thermostatic mode, any time the GV60 control turns off the main burner, the power vent will enter a purge cycle and then turn off. The next time the GV60 control initiates a call for heat, the power vent will start as described above, permitting the main burner to ignite.

**NOTE:** If power is disconnected from the appliance after the calibration sequence has been successfully completed, the “Calibration Status LED” will no longer be illuminated green, however, the restrictor will not have moved and the power vent system will still operate normally.

**NOTE:** In the event of a power loss during normal operation, the power vent and fireplace will shut down. When power is restored the unit will be locked out. To relight the unit, press the off button on the remote, listen for a single beep from the GV60 control. Once a single beep is heard, the fireplace can be relit following the instructions found on the lighting label of the appliance.

**WARNING: BEFORE SERVICING THE POWERVENT CONTROL, DISCONNECTING OR RECONNECTING ANY WIRE HARNESS, DISCONNECT POWER TO THE APPLIANCE.**

**WARNING: ALL INSTALLATION, SERVICING, AND TROUBLESHOOTING MUST BE PERFORMED BY A QUALIFIED GAS TECHNICIAN.**

# TROUBLESHOOTING

## Calibration Sequence Troubleshooting

Should any of the following scenarios occur, please check the following:

**Concern:** Calibration sequence begins as normal but concludes with “Calibration sequence LED” turning from blue to red.

**Cause:** Restrictor opened fully without the pressure switch closing.

**Check:**

1. Is the pressure switch plugged in?
2. Has pressure tube been installed on wrong port on pressure switch? (Should be connected to light colored port).



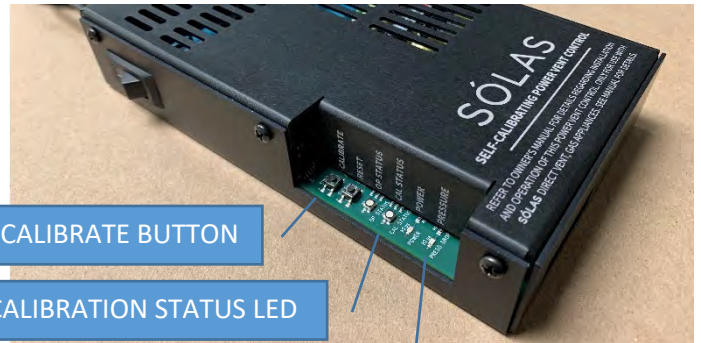
INSTALL PRESSURE TUBE ON THE GREY PORT

3. Actuate pressure switch manually (suck on pressure line), does “pressure” LED light up? If not, replace pressure switch.



4. Is the fireplace fully assembled, glass installed on the fireplace?
5. Is the vent system within approved configurations for this appliance?
6. Is the vent system free of leaks, compromised or poor joints?
7. Is Termination wire harness securely plugged into both the control and the termination?

**Concern:** “Calibration Status LED” turns red when “Calibration” button is pressed.



PRESSURE LED

**Cause:** Pressure switch is closed while power vent is off.

**Check:**

1. Actuate pressure switch manually (suck on pressure line), try again. “Pressure LED” should illuminate as the switch is actuated.
2. Replace pressure switch.

**Concern:** Calibration sequence does not start.

**Cause:** Power vent control is turned off, does not have power, or is currently performing a purge cycle.

**Check:**

1. Power vent control is currently in its purge cycle, the “Operation Status LED” will be blue during the purge cycle. Once the purge cycle ends after 60 seconds, the LED will turn off and a calibration cycle can be initiated.



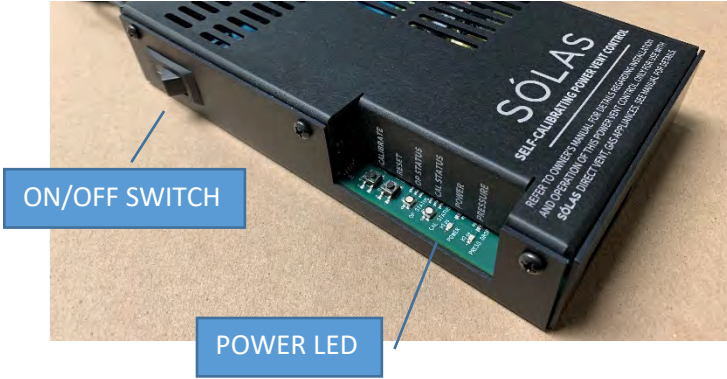
2. Check that “Power LED” is illuminated, if not, turn on the power vent control.
3. Connect power to Power vent control.

# TROUBLESHOOTING

## Normal Operation Troubleshooting

Should any of the following scenarios occur, please check the following:

**Concern:** Powervent does not start.

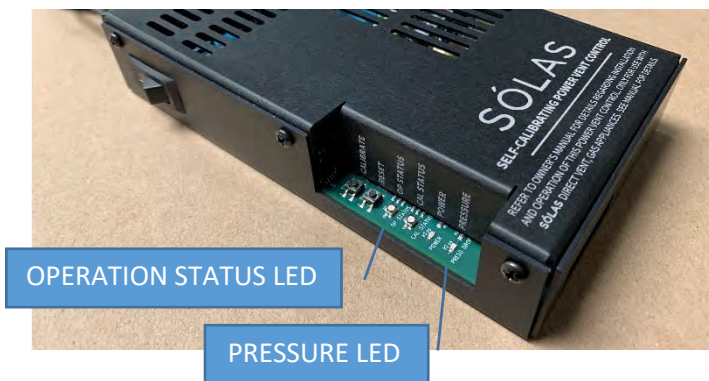


**Cause:** power vent control is turned off; power vent control does not have power. "GV60 AUX" harness is not plugged into the Maxitrol GV60 AUX port.

**Check:**

1. Check that "Power LED" is illuminated, if not, turn on the power vent control.
2. Connect power to Power vent control.
3. Check that "GV60 AUX" harness is plugged securely into the Maxitrol GV60 AUX port.

**Concern:** Powervent does not start, "Operation Status LED" is red.



**Cause:** Pressure switch is closed while power vent is off.

**Check:**

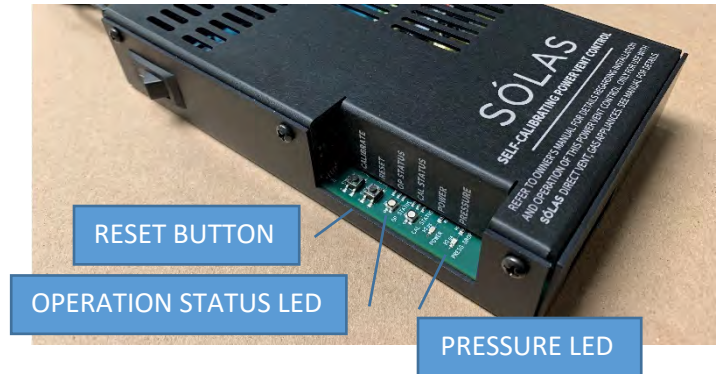
1. Actuate pressure switch manually (suck on pressure line), try again. "Pressure LED" should illuminate as the switch is actuated.
2. Replace pressure switch.

**Concern:** Normal Operation begins as described (left) but "Operation status LED" turns red after the pilot lights but before the main burner ignites.

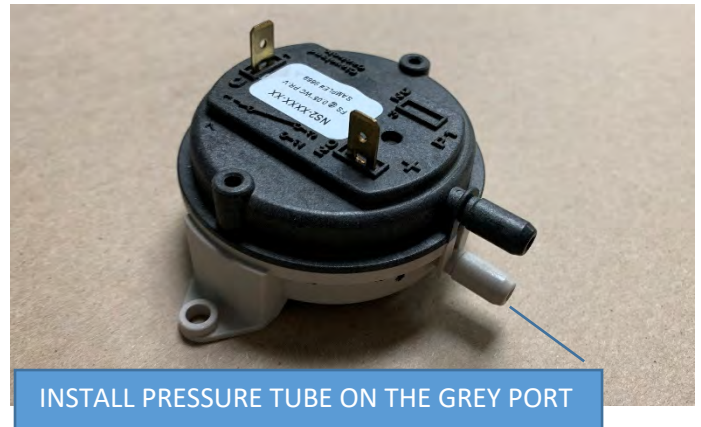
**Cause:** Power vent control did not get signal pressure switch has closed.

**Check:**

1. Is the pressure switch plugged in?
2. Actuate pressure switch manually (suck on pressure line), does "pressure" LED light up? If not, replace pressure switch.



3. Has pressure tube been installed on wrong port on pressure switch? (Should be connected to light colored port).



4. Is the fireplace fully assembled, glass installed on the fireplace?
5. Does the fireplace calibrate successfully?
6. Is the power vent blower running as expected? (easiest way to check is to press reset button on power vent board, the 60 second purge cycle should begin, the "Operation status LED" should be blue, the power vent blower should be running.

If this troubleshooting guide does not resolve your concern, please contact SÓLAS at:

**Phone:** (603) 298-5169 **Email:** [support@solasfires.com](mailto:support@solasfires.com)

# REPLACEMENT PARTS LIST

## REPLACEMENT PARTS

Item	Part Number	Description
1	SCPV-900C	Self-Calibrating Power Vent Control
2	SCPV-905PS	Self-Calibrating Power Vent Pressure Switch (with pressure switch tubing)
3	SCPV-914GS	Self-Calibrating Power Vent Gas Solenoid
4	SCPV-TWH-25	Termination Wire Harness, 25FT long
5	SCPV-TWH-50	Termination Wire Harness, 50FT long
6	SCPV-TWH-100	Termination Wire Harness, 100FT long
7	SCPV-TWH-130	Termination Wire Harness, 150FT long
8	SCPV-946DVA	Self-Calibrating Power Vent Pressure Port Vent Adapter
9	SCPV-130-FLUSH	Self-Calibrating Power Vent Flush-Mount Termination (requires SCPV-946DVA)
10	SCPV-130-SURFACE	Self-Calibrating Power Vent Surface-Mount Termination (for use with vent runs over 10 feet in length, requires SCPV-946DVA)
11	SCPV-10-SRSM	Self-Calibrating Power Vent Surface-Mount Termination (for use with vent runs under 10 feet in length)
12	SCPV-130-VERTICAL	Self-Calibrating Power Vent Top-Vent Termination (requires SCPV-946DVA) (Includes (8x) #8x3/4" Philips head wood screws)

**NOTE:** Items 9, 10 and 12 require the use of item 8.

**NOTE:** Item 11 is not to be used with item 8.

**WARNING: ALL INSTALLATION, SERVICING, AND TROUBLESHOOTING MUST BE PERFORMED BY A QUALIFIED GAS TECHNICIAN.**

**For replacement parts, technical support, and customer service contact your SÓLAS dealer or:**

**SÓLAS, LLC**  
452 Sunapee Street  
Newport, NH 03773

(T) 603-298-5169  
(F) 603-298-9246  
sales@solasfires.com

# WARRANTY INFORMATION

## THE WARRANTY

SÓLAS, LLC, a division of Progressive Manufacturing, Inc. ("SÓLAS"), Limited Lifetime Warranty warrants your SÓLAS brand gas fireplace ("Product") to be free from defects in materials and workmanship at the time of manufacture. The Product body and firebox carry the Limited Lifetime Warranty on workmanship defects causing loss of structural integrity. Ceramic glass carries the Limited Lifetime Warranty against thermal breakage only. After installation, if covered components manufactured by SÓLAS are found to be defective in material or workmanship during the Limited Lifetime Warranty period and while the Product remains at the site of the original installation, SÓLAS will, at its option, repair or replace the covered components. If repair or replacement is not commercially practical, SÓLAS will, at its option, refund the purchase price or wholesale price of the SÓLAS product, whichever is applicable. SÓLAS will also pay their prevailing labor rates, as determined in its sole discretion, incurred in repairing or replacing such components during the warranty period. THERE ARE EXCLUSIONS AND LIMITATIONS to this Limited Lifetime Warranty as described herein.

## COVERAGE COMMENCEMENT DATE

Warranty coverage begins on the date of installation. The warranty shall commence no later than 24 months following the date of product shipment from SÓLAS, regardless of the installation date.

## EXCLUSIONS AND LIMITATIONS

This Limited Lifetime Warranty applies only if the Product is installed in the United States or Canada and only if operated and maintained in accordance with the printed instructions accompanying the Product and in compliance with all applicable installation and building codes and good trade practices.

This warranty is non-transferable and extends to the original owner only. The Product must be purchased through a listed supplier of SÓLAS and proof of purchase must be provided. The Product body and firebox carry the Limited Lifetime Warranty. The following do not carry the Limited Lifetime Warranty, but are warranted as follows:

- **Burner** – Repair or replacement for three years from date of installation.
- **Gas components & electrical components** – Repair or replacement for one year from date of installation.
- **Blowers & remote controls** – Repair or replacement for one year from the date of installation.
- **Porcelain Firebox Liners** – Replacement for one year against cracking or breakage due to thermal stress from date of installation. Excludes surface and hairline cracks and scratches or slight color changes that do not affect the operation or safety of the unit.
- **Gaskets** – Repair or replacement for one year from the date of installation.
- **Surrounds** – Replacement for one year against cracking or breakage due to thermal stress. Excludes surface and hairline cracks and scratches or slight color changes that do not affect the operation or safety of the unit.
- **Labor coverage** – Prevailing SÓLAS rates apply for the warranty period of the component. SÓLAS will not be liable for travel costs for service work.

SÓLAS will not be responsible for: (a) damages caused by normal wear and tear, accident, riot, fire, flood, or acts of God; (b) damages caused by abuse, negligence, misuse, or unauthorized alteration or repair of the Product affecting its stability or performance. The Product must be subjected to normal use. The product is designed to burn either natural or propane gas only. Burning conventional fuels such as wood, coal or any other solid fuel will cause damage to the Product, will produce excessive temperatures and could result in a fire hazard. (c) Damages caused by failing to provide proper maintenance and service in accordance with the instructions provided with the Product; (d) damages, repairs or inefficiency resulting from faulty installation or application of the Product.

Discoloration and some minor expansion, contraction, or movement of certain parts and resulting noise is normal and not a defect, and, therefore, not covered under warranty. The installer must ensure the appliance is burning as per the rating tag at the time of installation. Over-firing (operation above the listed BTU rate) of this appliance can cause serious damage and will nullify this warranty.

This warranty is void if:

- The unit has been operated in atmospheres contaminated by chlorine, fluorine or other damaging chemicals.
- The unit is subject to submersion in water or prolonged periods of dampness or condensation.

- Any damage to the unit, combustion chamber, heat exchanger or other components due to water or weather damage, which is the result of, but not limited to improper chimney/venting installation.

Damage to stainless steel, gold, nickel or porcelain enameled surfaces caused by fingerprints, scratches, melted items, or other external sources left on these surfaces from the use of cleaners is not covered in this warranty.

SÓLAS is not responsible for inadequate fireplace system draft caused by air conditioning and heating systems, mechanical ventilation systems, or general construction conditions which may generate negative pressure in the room in which the appliance is installed. Additionally, SÓLAS assumes no responsibility for drafting conditions caused by venting configurations, adjoining trees or buildings, adverse wind conditions or unusual environmental factors and conditions that affect the operation of the unit.

This Limited Lifetime Warranty covers only parts and labor as provided herein. In no case shall SÓLAS be responsible for materials, components, or construction, which are not manufactured or supplied by SÓLAS or for the labor necessary to install, repair, or remove such materials, components, or construction. Additional utility bills incurred due to any malfunction or defect in equipment are not covered by this warranty. All replacement or repair components will be shipped F.O.B. from the nearest stocking SÓLAS facility.

## LIMITATION ON LIABILITY

It is expressly agreed and understood that SÓLAS' sole obligation and the purchaser's exclusive remedy under this warranty, under any other warranty, expressed or implied, or in contract, tort or otherwise, shall be limited to replacement, repair, or refund, as specified herein.

In no event shall SÓLAS be liable for any incidental or consequential damages caused by defects in the Product, whether such damage occurs or is discovered before or after repair or replacement, and whether such damage is caused by SÓLAS' negligence. SÓLAS has not made and does not make any representation or warranty of fitness for a particular use or purpose, and there is no implied condition of fitness for a particular purpose.

SÓLAS makes no expressed warranties except as stated in this Limited Lifetime Warranty. The duration of any implied warranty is limited to the duration of this expressed warranty.

No one is authorized to change this Limited Lifetime Warranty or to create for SÓLAS any other obligation or liability in connection with the Product. Some states and provinces do not allow the exclusion or limitation of incidental or consequential damages, so the above limitations or exclusions may not apply to you. The provisions of this Limited Lifetime Warranty are in addition to and not a modification of or subtraction from any statutory warranties and other rights and remedies provided by law.

## INVESTIGATION OF CLAIMS AGAINST WARRANTY

SÓLAS reserves the right to investigate any and all claims against this Limited Lifetime Warranty and to decide, in its sole discretion, upon the method of settlement.

To receive the benefits and advantages described in this Limited Lifetime Warranty, the appliance must be installed and repaired by a licensed contractor approved by SÓLAS.

Contact SÓLAS at the address provided herein to obtain a listing of approved dealers/distributors. **SÓLAS shall in no event be responsible for any warranty work done by a contractor that is not approved without first obtaining SÓLAS' prior written consent.**

## HOW TO REGISTER A CLAIM AGAINST WARRANTY

In order for any claim under this warranty to be valid, you must contact the SÓLAS dealer/distributor from which you purchased the product. If you cannot locate the dealer/distributor, then you must notify SÓLAS in writing. SÓLAS must be notified of the claimed defect in writing within 90 days of the date of failure. Notices should be directed to the SÓLAS Warranty Department at 452 Sunapee Street, Newport, NH 03773 or visit our website at [www.solasfires.com/warranty](http://www.solasfires.com/warranty).

## SÓLAS, LLC

452 Sunapee Street  
Newport, NH 03773

(T) 603-298-5169  
(F) 603-298-9246

[solasfires.com](http://solasfires.com)



**RECORD YOUR PRODUCT INFORMATION**

Model #: \_\_\_\_\_ Serial Number: \_\_\_\_\_

Date Purchased: \_\_\_\_\_ Date Installed: \_\_\_\_\_

**SÓLAS**  
CONTEMPORARY FIRE

***Manufactured by:***

Progressive Manufacturing Inc.  
452 Sunapee Street  
Newport, NH 03773  
USA  
[solasfires.com](http://solasfires.com)